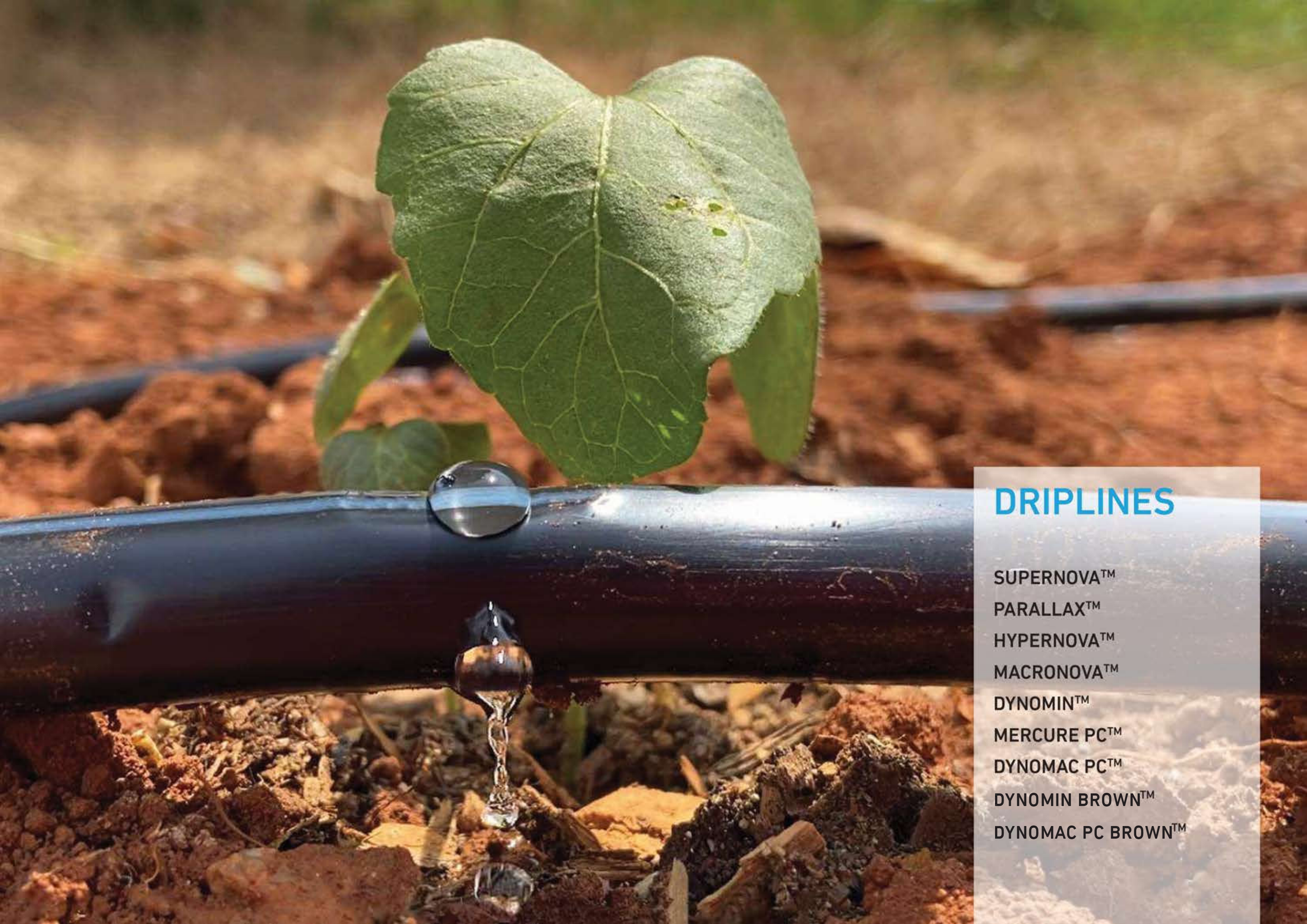


---

# CONTENTS



## **DRIPLINES**

**SUPERNOVA™**

**PARALLAX™**

**HYPERNOVA™**

**MACRONOVA™**

**DYNOMIN™**

**MERCURE PC™**

**DYNOMAC PC™**

**DYNOMIN BROWN™**

**DYNOMAC PC BROWN™**



## **DRIPLINES**

**SUPERNOVA™**

**PARALLAX™**

**HYPERNOVA™**

**MACRONOVA™**

**DYNOMIN™**

**MERCURE PC™**

**DYNOMAC PC™**

**DYNOMIN BROWN™**

**DYNOMAC PC BROWN™**



# Supernova™

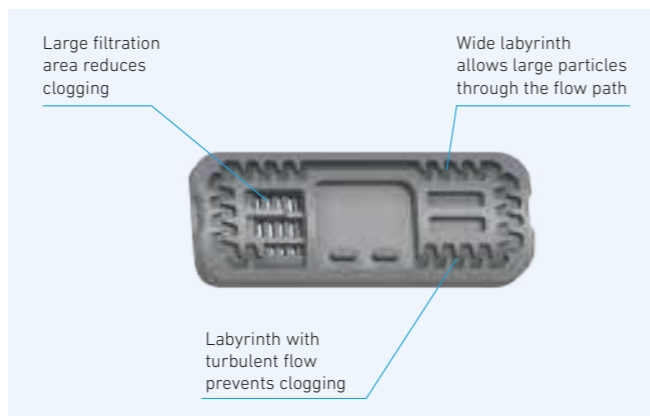
THIN WALL DRIPLINE

## APPLICATIONS

- Row crops
- Field crops
- Vegetables
- Greenhouses
- Landscaping

## FEATURES

- Small flat integral dripper, cost-effective
- Injected dripper, very low CV value (<3%)
- Large filtration area with superior clogging resistance
- Wide water passage labyrinth with turbulent flow - prevents particle settling
- High UV resistant
- Resistant to chemicals and fertilizers used in agriculture



## TECHNICAL DATA

Nominal diameter:  
16 / 22 / 25 mm

Wall thickness:  
6 mil-16 mil (0,15-0,40 mm)

Nominal flow rate (1 bar):  
0,8 / 1,2 / 1,6 / 2,0 / 2,2 / 2,6 / 3,2 lph

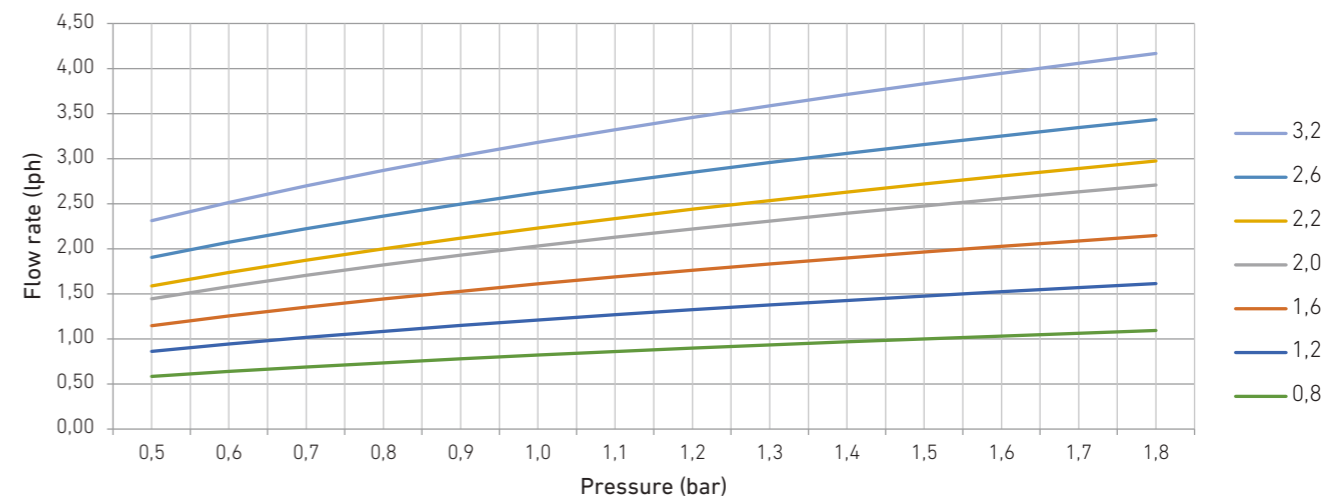
Required filtration:  
125 micron / 120 mesh

Dripper spacing:  
15-120 cm

Related standards:  
ISO 9261 Agricultural irrigation equipment -- Emitters and emitting pipe -- Specifications and test methods



## FLOW RATE VS. PRESSURE



Nominal flow rate lph (1 bar)	Pressure bar													
	0,5	0,6	0,7	0,8	0,9	1,0	1,1	1,2	1,3	1,4	1,5	1,6	1,7	1,8
0,8	0,58	0,64	0,69	0,74	0,78	0,82	0,86	0,90	0,93	0,97	1,00	1,03	1,06	1,09
1,2	0,86	0,94	1,02	1,08	1,15	1,21	1,27	1,32	1,38	1,43	1,48	1,52	1,57	1,61
1,6	1,15	1,25	1,35	1,44	1,53	1,61	1,69	1,76	1,83	1,90	1,96	2,03	2,09	2,15
2,0	1,45	1,58	1,70	1,82	1,93	2,03	2,13	2,22	2,31	2,39	2,48	2,56	2,63	2,71
2,2	1,59	1,74	1,87	2,00	2,12	2,23	2,34	2,44	2,54	2,63	2,72	2,81	2,89	2,97
2,6	1,90	2,07	2,22	2,36	2,50	2,62	2,74	2,85	2,96	3,06	3,16	3,25	3,34	3,43
3,2	2,31	2,51	2,70	2,87	3,03	3,18	3,32	3,46	3,59	3,71	3,83	3,95	4,06	4,17

## CODING INFORMATION

XXX		FLD		XXX		XXX		SXX	
Nominal diameter				Wall thickness		Dripper spacing		Flow rate	
16 mm	016			6 mil	006	15 cm	015	0,8 lph	S08
22 mm	022			8 mil	008	20 cm	020	1,2 lph	S12
25 mm	025			10 mil	010	25 cm	025	1,6 lph	S16
				12 mil	012	30 cm	030	2,0 lph	S20
				14 mil	014	33 cm	033	2,2 lph	S22
				16 mil	016	40 cm	040	2,6 lph	S26
						50 cm	050	3,2 lph	S32
						60 cm	060		
						75 cm	075		
						100 cm	100		
						120 cm	120		

**16 MM | TECHNICAL SPECIFICATIONS**

Code	Wall thickness mil/mm	Inner diameter mm	Max working pressure bar	Dripper spacing cm	Reel length (Type A) m	Reel length (Type B) m	Reel length (Type C) m
016 FLD 006 XXX SXX	6/0,15	16,0	0,8	15	2200	900	500
				20	2500	1000	
				25	2600		
				30≤	2700		
016 FLD 008 XXX SXX	8/0,20	16,0	1,0	15	1800	800	500
				20-25	2000	900	
				30≤	2100		
016 FLD 010 XXX SXX	10/0,25	16,0	1,2	15	1500	650	-
				20-25	1600	700	
				30≤	1700		
016 FLD 012 XXX SXX	12/0,30	16,0	1,4	15	1200	-	-
				20-25	1300		
				30≤	1400		
016 FLD 014 XXX SXX	14/0,35	15,9	1,6	15	1100	-	-
				20-25	1200		
				30≤	1250		
016 FLD 016 XXX SXX	16/0,40	15,9	1,8	15	950	-	-
				20-25	1000		
				30≤	1100		

**22 MM | TECHNICAL SPECIFICATIONS**

Code	Wall thickness mil/mm	Inner diameter mm	Max working pressure bar	Dripper spacing cm	Reel length (Type A) m
022 FLD 008 XXX SXX	8/0,20	22,0	0,8	15	1400
				20-25	1500
				30≤	1600
022 FLD 010 XXX SXX	10/0,25	22,0	1,0	15	1100
				20-25	1200
				30≤	1250
022 FLD 012 XXX SXX	12/0,30	22,0	1,2	15	950
				20-25	1000
				30≤	1100
022 FLD 014 XXX SXX	14/0,35	21,9	1,4	15	800
				20-25	850
				30≤	900
022 FLD 016 XXX SXX	16/0,40	21,9	1,6	15	700
				20-25	750
				30≤	800

**25 MM | TECHNICAL SPECIFICATIONS**

Code	Wall thickness mil/mm	Inner diameter mm	Max working pressure bar	Dripper spacing cm	Reel length (Type A) m
025 FLD 010 XXX SXX	10/0,25	25,0	0,9	15	950
				20-25	1000
				30≤	1100
025 FLD 012 XXX SXX	12/0,30	25,0	1,1	15	850
				20-25	900
				30≤	1000
025 FLD 014 XXX SXX	14/0,35	24,9	1,3	15	750
				20-25	800
				30≤	850
025 FLD 016 XXX SXX	16/0,40	24,9	1,5	15	650
				20-25	700
				30≤	750

**16 MM | MAX RECOMMENDED LATERAL LENGTH (M)**

• Flat terrain (0% slope) • 10% Flow variation • Inlet pressure 1 bar

Nominal flow rate lph	Dripper spacing cm											
	15	20	25	30	33	40	50	60	75	100	120	
0,8	91	115	136	153	164	186	216	244	281	341	380	
1,2	71	90	106	119	128	145	168	190	219	266	296	
1,6	59	74	87	98	105	119	138	156	180	218	243	
2,0	52	64	76	85	91	104	120	136	156	190	211	
2,2	49	61	73	82	88	99	115	130	150	182	203	
2,6	44	56	67	75	80	91	106	119	138	167	186	
3,2	39	50	59	66	71	80	93	105	121	147	164	

**22 MM | MAX RECOMMENDED LATERAL LENGTH (M)**

• Flat terrain (0% slope) • 10% Flow variation • Inlet pressure 1 bar

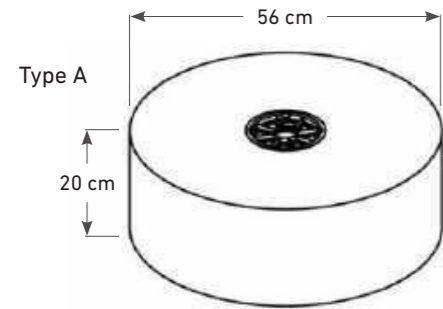
Nominal flow rate lph	Dripper spacing cm											
	15	20	25	30	33	40	50	60	75	100	120	
0,8	174	217	253	281	300	336	384	429	486	579	637	
1,2	136	170	198	220	234	262	300	334	379	452	497	
1,6	112	139	162	180	192	215	246	274	311	370	408	
2,0	97	121	141	157	167	187	214	238	271	322	355	
2,2	92	116	135	150	160	179	205	229	260	309	340	
2,6	84	106	124	138	147	164	188	210	238	283	312	
3,2	74	94	109	121	129	145	165	185	210	249	275	

**25 MM | MAX RECOMMENDED LATERAL LENGTH (M)**

• Flat terrain (0% slope) • 10% Flow variation • Inlet pressure 1 bar

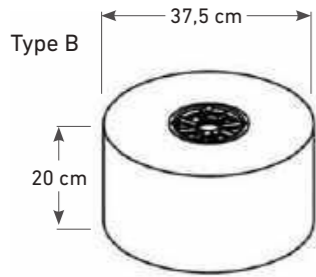
Nominal flow rate lph	Dripper spacing cm											
	15	20	25	30	33	40	50	60	75	100	120	
0,8	224	281	327	363	387	433	496	553	628	747	823	
1,2	176	219	255	283	302	338	387	432	490	583	642	
1,6	144	179	209	232	248	277	317	354	402	478	526	
2,0	125	156	182	202	215	241	276	308	349	416	458	
2,2	120	150	175	194	207	231	265	296	335	399	440	
2,6	110	137	160	178	190	212	243	271	307	366	403	
3,2	96	121	141	157	167	187	214	238	271	322	355	

LOADING DATA



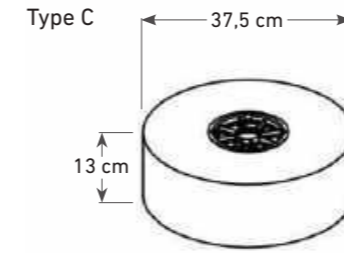
	20' DC Container	40' DC Container	40' HC Container	Truck
Reels per layer	4	4	4	4
Layers per pallet	10	10	11	11
Pallet dimensions	L: 114 cm W: 114 cm H: 220 cm	L: 114 cm W: 114 cm H: 220 cm	L: 114 cm W: 114 cm H: 240 cm	L: 114 cm W: 114 cm H: 240 cm
Reels per pallet	40	40	44	44
Number of pallets	10	20	20	22
Number of reels	400	800 + 44*	880 + 48*	968

\* Loose reels



	20' DC Container	40' DC Container	40' HC Container	Truck
Reels per layer	9	9	4	4
Layers per pallet	10	10	11	11
Pallet dimensions	L: 114 cm W: 114 cm H: 220 cm	L: 114 cm W: 114 cm H: 220 cm	L: 114 cm W: 114 cm H: 240 cm	L: 114 cm W: 114 cm H: 240 cm
Reels per pallet	90	90	99	99
Number of pallets	10	20	20	22
Number of reels	900	1800 + 66*	1980 + 72*	2178

\* Loose reels



	20' DC Container	40' DC Container	40' HC Container	Truck
Reels per layer	9	9	9	9
Layers per pallet	15	15	17	17
Pallet dimensions	L: 114 cm W: 114 cm H: 215 cm	L: 114 cm W: 114 cm H: 215 cm	L: 114 cm W: 114 cm H: 241 cm	L: 114 cm W: 114 cm H: 241 cm
Reels per pallet	135	135	153	153
Number of pallets	10	20	20	22
Number of reels	1350	2700 + 96*	3060 + 108*	3366

\* Loose reels





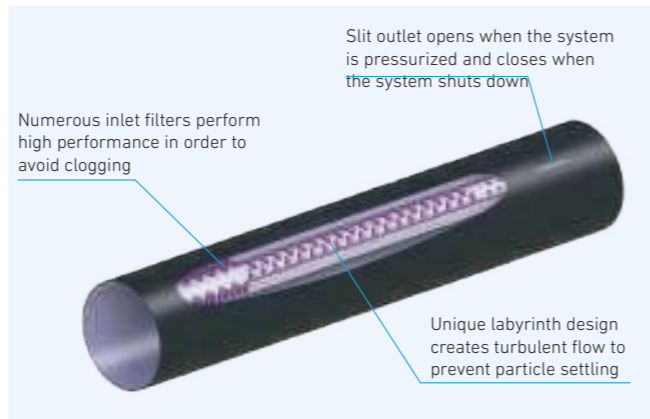
# Parallax™ DRIP TAPE

## APPLICATIONS

- Row crops
- Field crops
- Vegetables
- Greenhouses
- Landscaping

## FEATURES

- Installed on-surface or sub-surface
- Emitter with uniform design, very low CV value (<3%)
- Closer emitter spacing - increases crop yield
- No additional cost for closer emitter spacing
- Large filtration area and high number of inlet filters with superior clogging resistance
- Wide water passage labyrinth with turbulent flow - prevents particle settling
- High UV resistant
- Resistant to chemicals and fertilizers used in agriculture



## TECHNICAL DATA

Nominal diameter:  
16 / 22 / 25 mm

Wall thickness:  
6 mil-16 mil (0,15-0,40 mm)

Nominal flow rate (0,7 bar):  
0,6 / 0,9 / 1,2 / 1,5 lph

Nominal flow rates (1 bar):  
0,7 / 1,0 / 1,4 / 1,8 lph

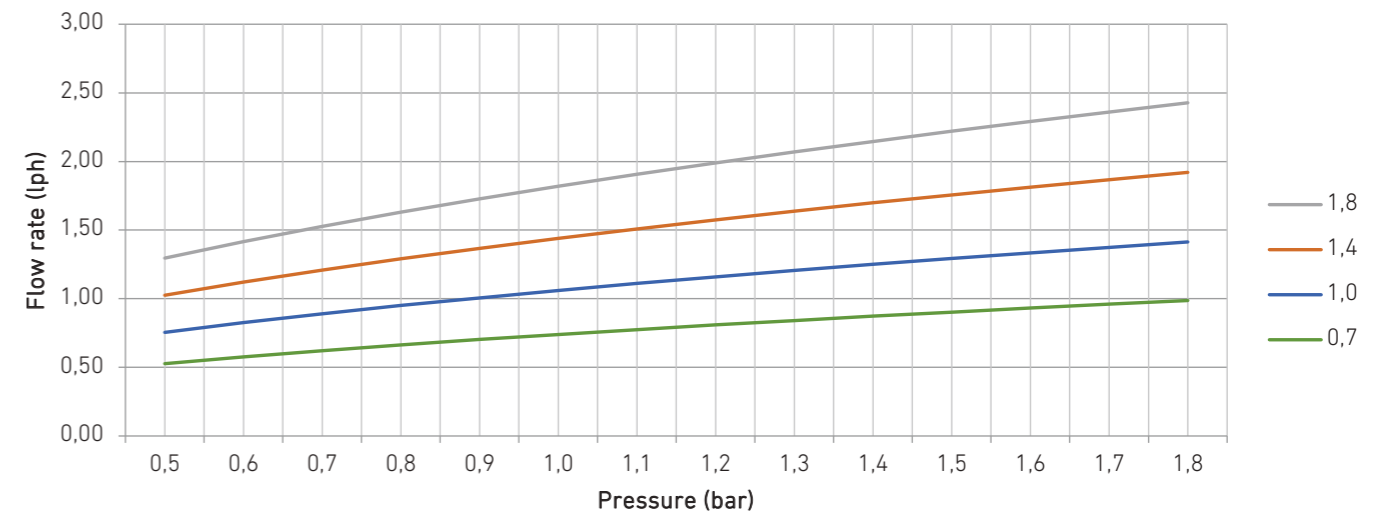
Required filtration:  
125 micron / 120 mesh

Emitter spacing:  
10-60 cm

Related standards:  
ISO 9261 Agricultural irrigation equipment -- Emitters and emitting pipe -- Specifications and test methods



## FLOW RATE VS. PRESSURE



Nominal flow rate lph (1 bar)	Pressure bar													
	0,5	0,6	0,7	0,8	0,9	1,0	1,1	1,2	1,3	1,4	1,5	1,6	1,7	1,8
0,7	0,53	0,58	0,62	0,66	0,70	0,74	0,78	0,81	0,84	0,87	0,90	0,93	0,96	0,99
1,0	0,75	0,83	0,89	0,95	1,01	1,06	1,11	1,16	1,21	1,25	1,29	1,33	1,37	1,41
1,4	1,03	1,12	1,21	1,29	1,37	1,44	1,51	1,57	1,64	1,70	1,76	1,81	1,87	1,92
1,8	1,30	1,42	1,53	1,63	1,73	1,82	1,91	1,99	2,07	2,15	2,22	2,29	2,36	2,43

## LPH/1-METER @ 0,7 BAR

Nominal flow rate lph	Emitter spacing cm					
	10	20	30	40	50	60
0,6	6,21	3,11	2,07	1,55	1,24	1,04
0,9	8,90	4,45	2,97	2,23	1,78	1,48
1,2	12,09	6,05	4,03	3,02	2,42	2,02
1,5	15,28	7,64	5,09	3,82	3,06	2,55

## LPH/1-METER @ 1 BAR

Nominal flow rate lph	Emitter spacing cm					
	10	20	30	40	50	60
0,7	7,40	3,70	2,47	1,85	1,48	1,23
1,0	10,60	5,30	3,53	2,65	2,12	1,77
1,4	14,40	7,20	4,80	3,60	2,88	2,40
1,8	18,20	9,10	6,07	4,55	3,64	3,03

## CODING INFORMATION

XXX	
Nominal diameter	
16 mm	016
22 mm	022
25 mm	025

TPD
-----

XXX	
Wall thickness	
6 mil	006
8 mil	008
10 mil	010
12 mil	012
14 mil	014
16 mil	016

XXX	
Emitter spacing	
10 cm	010
20 cm	020
30 cm	030
40 cm	040
50 cm	050
60 cm	060

XXX	
Flow rate	
0,7 lph	007
1,0 lph	010
1,4 lph	014
1,8 lph	018

16 MM | TECHNICAL SPECIFICATIONS

Code	Wall thickness mil/mm	Inner diameter mm	Max working pressure bar	Emitter spacing cm	Reel length (Type A) m	Reel length (Type B) m
016 TPD 006 XXX XXX	6/0,15	16,0	0,8	10-60	2800	1250
016 TPD 008 XXX XXX	8/0,20	16,0	1,0	10-60	2200	1000
016 TPD 010 XXX XXX	10/0,25	16,0	1,2	10-60	1800	-
016 TPD 012 XXX XXX	12/0,30	16,0	1,4	10-60	1500	-
016 TPD 014 XXX XXX	14/0,35	15,9	1,6	10-60	1300	-
016 TPD 016 XXX XXX	16/0,40	15,9	1,8	10-60	1200	-

22 MM | TECHNICAL SPECIFICATIONS

Code	Wall thickness mil/mm	Inner diameter mm	Max working pressure bar	Emitter spacing cm	Reel length (Type A) m
022 TPD 008 XXX XXX	8/0,20	22,0	0,8	10-60	1700
022 TPD 010 XXX XXX	10/0,25	22,0	1,0	10-60	1400
022 TPD 012 XXX XXX	12/0,30	22,0	1,2	10-60	1200
022 TPD 014 XXX XXX	14/0,35	21,9	1,4	10-60	1000
022 TPD 016 XXX XXX	16/0,40	21,9	1,6	10-60	900

25 MM | TECHNICAL SPECIFICATIONS

Code	Wall thickness mil/mm	Inner diameter mm	Max working pressure bar	Emitter spacing cm	Reel length (Type A) m
025 TPD 010 XXX XXX	10/0,25	25,0	0,9	10-60	1200
025 TPD 012 XXX XXX	12/0,30	25,0	1,1	10-60	1000
025 TPD 014 XXX XXX	14/0,35	24,9	1,3	10-60	900
025 TPD 016 XXX XXX	16/0,40	24,9	1,5	10-60	800

16 MM | MAX RECOMMENDED LATERAL LENGTH (M)

• Flat terrain (0% slope) • 10% Flow variation • Inlet pressure 0,7 bar

Nominal flow rate lph	Emitter spacing cm					
	10	20	30	40	50	60
0,6	83	163	218	264	306	341
0,9	58	115	152	184	215	238
1,2	42	82	108	132	153	170
1,5	33	66	87	109	121	136

22 MM | MAX RECOMMENDED LATERAL LENGTH (M)

• Flat terrain (0% slope) • 10% Flow variation • Inlet pressure 0,7 bar

Nominal flow rate lph	Emitter spacing cm					
	10	20	30	40	50	60
0,6	157	309	411	499	579	644
0,9	110	217	287	349	406	450
1,2	79	155	205	250	290	322
1,5	63	125	165	207	229	258

25 MM | MAX RECOMMENDED LATERAL LENGTH (M)

• Flat terrain (0% slope) • 10% Flow variation • Inlet pressure 0,7 bar

Nominal flow rate lph	Emitter spacing cm					
	10	20	30	40	50	60
0,6	203	399	531	645	748	831
0,9	142	280	371	450	524	581
1,2	103	200	264	322	374	416
1,5	82	161	213	267	295	333

• Flat terrain (0% slope) • 10% Flow variation • Inlet pressure 1 bar

Nominal flow rate lph	Emitter spacing cm					
	10	20	30	40	50	60
0,7	87	171	229	278	324	362
1,0	61	120	160	194	227	253
1,4	44	86	114	139	162	181
1,8	35	69	92	115	128	145

• Flat terrain (0% slope) • 10% Flow variation • Inlet pressure 1 bar

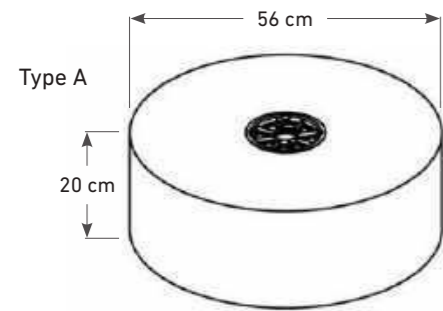
Nominal flow rate lph	Emitter spacing cm					
	10	20	30	40	50	60
0,7	164	323	433	525	612	684
1,0	115	227	302	367	429	478
1,4	83	163	215	263	306	342
1,8	66	130	174	217	242	274

• Flat terrain (0% slope) • 10% Flow variation • Inlet pressure 1 bar

Nominal flow rate lph	Emitter spacing cm					
	10	20	30	40	50	60
0,7	212	417	559	678	791	883
1,0	149	293	390	473	554	617
1,4	107	210	278	339	395	442
1,8	85	168	224	281	312	354



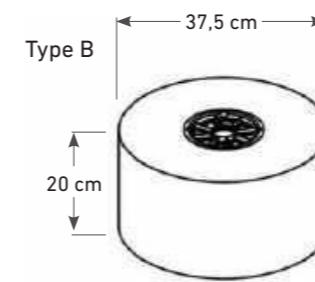
LOADING DATA



	20' DC Container	40' DC Container	40' HC Container	Truck
Reels per layer	4	4	4	4
Layers per pallet	10	10	11	11
Pallet dimensions	L: 114 cm W: 114 cm H: 220 cm	L: 114 cm W: 114 cm H: 220 cm	L: 114 cm W: 114 cm H: 240 cm	L: 114 cm W: 114 cm H: 240 cm
Reels per pallet	40	40	44	44
Number of pallets	10	20	20	22
Number of reels	400	800 + 44*	880 + 48*	968



\* Loose reels



	20' DC Container	40' DC Container	40' HC Container	Truck
Reels per layer	9	9	4	4
Layers per pallet	10	10	11	11
Pallet dimensions	L: 114 cm W: 114 cm H: 220 cm	L: 114 cm W: 114 cm H: 220 cm	L: 114 cm W: 114 cm H: 240 cm	L: 114 cm W: 114 cm H: 240 cm
Reels per pallet	90	90	99	99
Number of pallets	10	20	20	22
Number of reels	900	1800 + 66*	1980 + 72*	2178



\* Loose reels



# Hypernova™

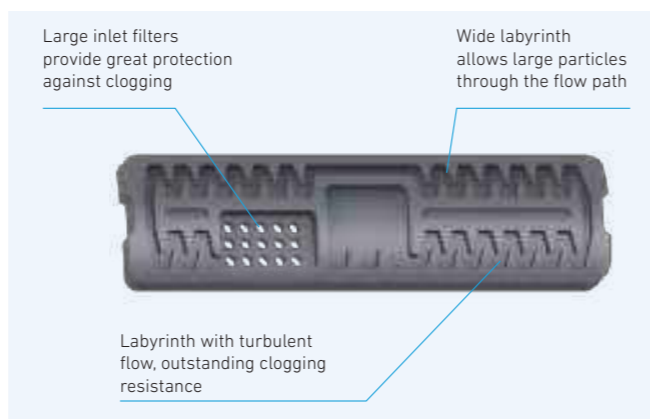
THIN WALL DRIPLINE

## APPLICATIONS

- Row crops
- Field crops
- Vegetables
- Greenhouses
- Landscaping

## FEATURES

- Flat integral dripper, high clog-resistant
- Injected dripper, very low CV value (<3%)
- Large filtration area with superior clogging resistance
- Wide water passage labyrinth with turbulent flow - prevents particle settling
- High UV resistant
- Resistant to chemicals and fertilizers used in agriculture



## TECHNICAL DATA

Nominal diameter:

16 / 22 / 25 mm

Wall thickness:

6 mil-24 mil (0,15-0,60 mm)

Nominal flow rate (1 bar):

1,2 / 1,6 / 2,0 / 3,2 lph

Required filtration:

125 micron / 120 mesh

Dripper spacing:

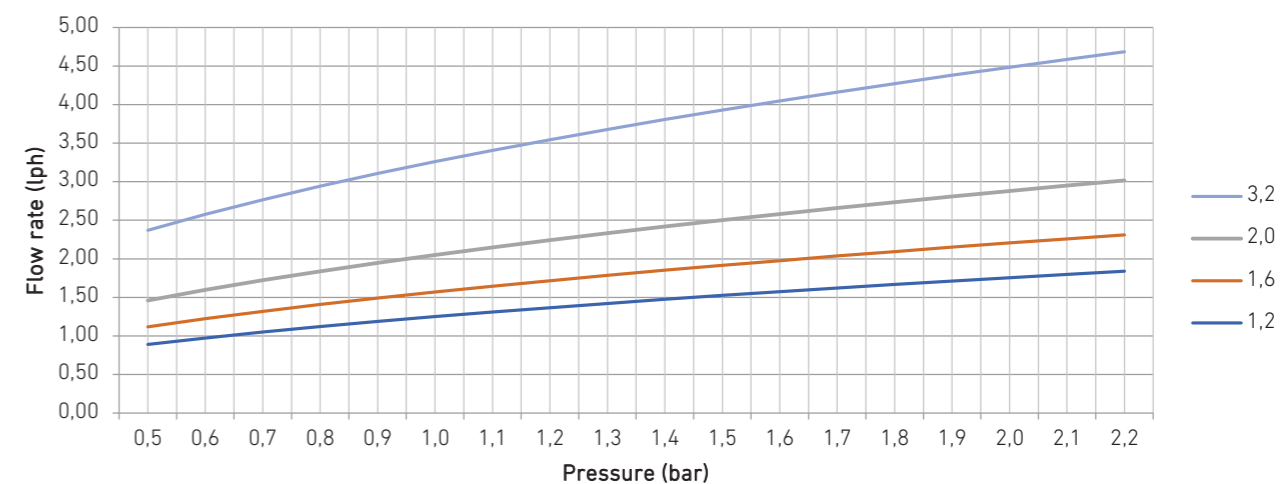
15-120 cm

Related standards:

ISO 9261 Agricultural irrigation equipment -- Emitters and emitting pipe -- Specifications and test methods



## FLOW RATE VS. PRESSURE



Nominal flow rate lph (1 bar)	Pressure bar																			
	0,5	0,6	0,7	0,8	0,9	1,0	1,1	1,2	1,3	1,4	1,5	1,6	1,7	1,8	1,9	2,0	2,1	2,2		
1,2	0,89	0,97	1,05	1,12	1,19	1,25	1,31	1,37	1,42	1,47	1,52	1,57	1,62	1,67	1,71	1,76	1,80	1,84		
1,6	1,12	1,22	1,32	1,41	1,49	1,57	1,65	1,72	1,79	1,85	1,92	1,98	2,04	2,09	2,15	2,20	2,26	2,31		
2,0	1,46	1,60	1,72	1,84	1,95	2,05	2,15	2,24	2,33	2,42	2,50	2,58	2,66	2,73	2,81	2,88	2,95	3,02		
3,2	2,37	2,58	2,77	2,94	3,11	3,26	3,41	3,55	3,68	3,81	3,93	4,05	4,16	4,27	4,38	4,48	4,59	4,69		

## CODING INFORMATION

XXX	
Nominal diameter	
16 mm	016
22 mm	022
25 mm	025

FLD
-----

XXX	
Wall thickness	
6 mil	006
8 mil	008
10 mil	010
12 mil	012
14 mil	014
16 mil	016
20 mil	020
24 mil	024

XXX	
Dripper spacing	
15 cm	015
20 cm	020
25 cm	025
30 cm	030
33 cm	033
40 cm	040
50 cm	050
60 cm	060
75 cm	075
100 cm	100
120 cm	120

HXX	
Flow rate	
1,2 lph	H12
1,6 lph	H16
2,0 lph	H20
3,2 lph	H32

**16 MM | TECHNICAL SPECIFICATIONS**

Code	Wall thickness mil/mm	Inner diameter mm	Max working pressure bar	Dripper spacing cm	Reel length (Type A) m
016 FLD 006 XXX HXX	6/0,15	16,0	0,8	20	2200
				25	2400
				30≤	2500
016 FLD 008 XXX HXX	8/0,20	16,0	1,0	15	1700
				20	1800
				25	1900
016 FLD 010 XXX HXX	10/0,25	16,0	1,2	30≤	2000
				15	1400
				20-25	1500
016 FLD 012 XXX HXX	12/0,30	16,0	1,4	30≤	1600
				15	1150
				20-25	1250
016 FLD 014 XXX HXX	14/0,35	15,9	1,6	30≤	1350
				15	1000
				20-25	1100
016 FLD 016 XXX HXX	16/0,40	15,9	1,8	30≤	1200
				15	900
				20-25	950
016 FLD 020 XXX HXX	20/0,50	15,8	2,0	30≤	1000
				15	750
				20≤	800
016 FLD 024 XXX HXX	24/0,60	15,7	2,2	15	650
				20≤	700

**22 MM | TECHNICAL SPECIFICATIONS**

Code	Wall thickness mil/mm	Inner diameter mm	Max working pressure bar	Dripper spacing cm	Reel length (Type A) m
022 FLD 008 XXX HXX	8/0,20	22,0	0,8	15	1300
				20-25	1400
				30≤	1500
022 FLD 010 XXX HXX	10/0,25	22,0	1,0	15	1000
				20-25	1100
				30≤	1200
022 FLD 012 XXX HXX	12/0,30	22,0	1,2	15	900
				20-25	950
				30≤	1000
022 FLD 014 XXX HXX	14/0,35	21,9	1,4	15	750
				20-25	800
				30≤	850
022 FLD 016 XXX HXX	16/0,40	21,9	1,6	15	650
				20-25	700
				30≤	750
022 FLD 020 XXX HXX	20/0,50	21,8	1,8	15	550
				20≤	600
022 FLD 024 XXX HXX	24/0,60	21,7	2,0	15	450
				20≤	500

**25 MM | TECHNICAL SPECIFICATIONS**

Code	Wall thickness mil/mm	Inner diameter mm	Max working pressure bar	Dripper spacing cm	Reel length (Type A) m
025 FLD 010 XXX HXX	10/0,25	25,0	0,9	15	850
				20-25	900
				30≤	1000
025 FLD 012 XXX HXX	12/0,30	25,0	1,1	15	800
				20-25	850
				30≤	900
025 FLD 014 XXX HXX	14/0,35	24,9	1,3	15	700
				20-25	750
				30≤	800
025 FLD 016 XXX HXX	16/0,40	24,9	1,5	15	600
				20-25	650
				30≤	700
025 FLD 020 XXX HXX	20/0,50	24,8	1,7	15	500
				20≤	550
025 FLD 024 XXX HXX	24/0,60	24,7	1,9	15	400
				20≤	450

**16 MM | MAX RECOMMENDED LATERAL LENGTH (M)**

• Flat terrain (0% slope) • 10% Flow variation • Inlet pressure 1 bar

Nominal flow rate lph	Dripper spacing cm											
	15	20	25	30	33	40	50	60	75	100	120	
1,2	71	90	106	119	128	145	168	190	219	266	296	
1,6	59	74	87	98	105	119	138	156	180	218	243	
2,0	52	64	76	85	91	104	120	136	156	190	211	
3,2	39	50	59	66	71	80	93	105	121	147	164	

**22 MM | MAX RECOMMENDED LATERAL LENGTH (M)**

• Flat terrain (0% slope) • 10% Flow variation • Inlet pressure 1 bar

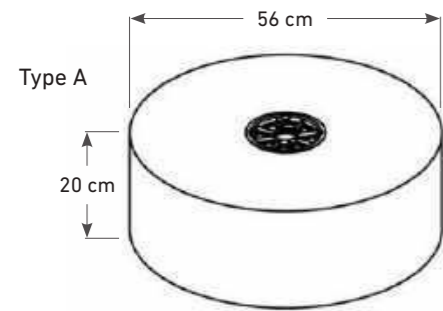
Nominal flow rate lph	Dripper spacing cm											
	15	20	25	30	33	40	50	60	75	100	120	
1,2	136	170	198	220	234	262	300	334	379	452	497	
1,6	112	139	162	180	192	215	246	274	311	370	408	
2,0	97	121	141	157	167	187	214	238	271	322	355	
3,2	74	94	109	121	129	145	165	185	210	249	275	

**25 MM | MAX RECOMMENDED LATERAL LENGTH (M)**

• Flat terrain (0% slope) • 10% Flow variation • Inlet pressure 1 bar

Nominal flow rate lph	Dripper spacing cm											
	15	20	25	30	33	40	50	60	75	100	120	
1,2	176	219	255	283	302	338	387	432	490	583	642	
1,6	144	179	209	232	248	277	317	354	402	478	526	
2,0	125	156	182	202	215	241	276	308	349	416	458	
3,2	96	121	141	157	167	187	214	238	271	322	355	

LOADING DATA



	20' DC Container	40' DC Container	40' HC Container	Truck
Reels per layer	4	4	4	4
Layers per pallet	10	10	11	11
Pallet dimensions	L: 114 cm W: 114 cm H: 220 cm	L: 114 cm W: 114 cm H: 220 cm	L: 114 cm W: 114 cm H: 240 cm	L: 114 cm W: 114 cm H: 240 cm
Reels per pallet	40	40	44	44
Number of pallets	10	20	20	22
Number of reels	400	800 + 44*	880 + 48*	968



\* Loose reels



# Macronova™

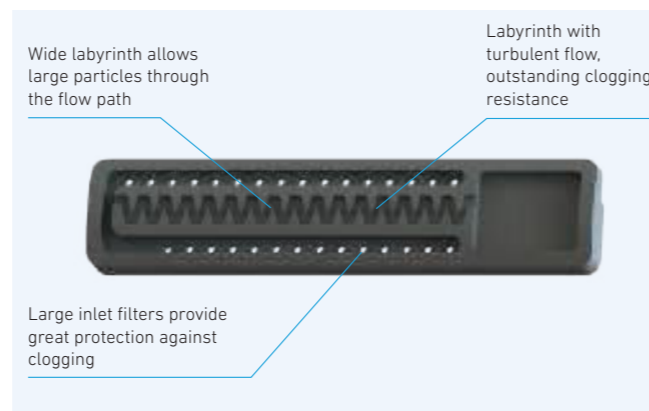
MEDIUM/HEAVY WALL DRIPLINE

## APPLICATIONS

- Fruit crops
- Vineyards
- Olive trees
- Greenhouses
- Row crops
- Field crops

## FEATURES

- Flat integral dripper, excellent clog-resistance
- Injected dripper, very low CV value (<3%)
- Large filtration area with superior clogging resistance
- Wide water passage labyrinth with turbulent flow - prevents particle settling
- High UV resistant
- Resistant to chemicals and fertilizers used in agriculture



## TECHNICAL DATA

Nominal diameter:  
16 / 20 mm

Wall thickness:  
28 mil-44 mil (0,70-1,10 mm)

Nominal flow rate (1 bar):  
1,2 / 1,6 / 2,0 / 3,2 lph

Required filtration:  
125 micron / 120 mesh

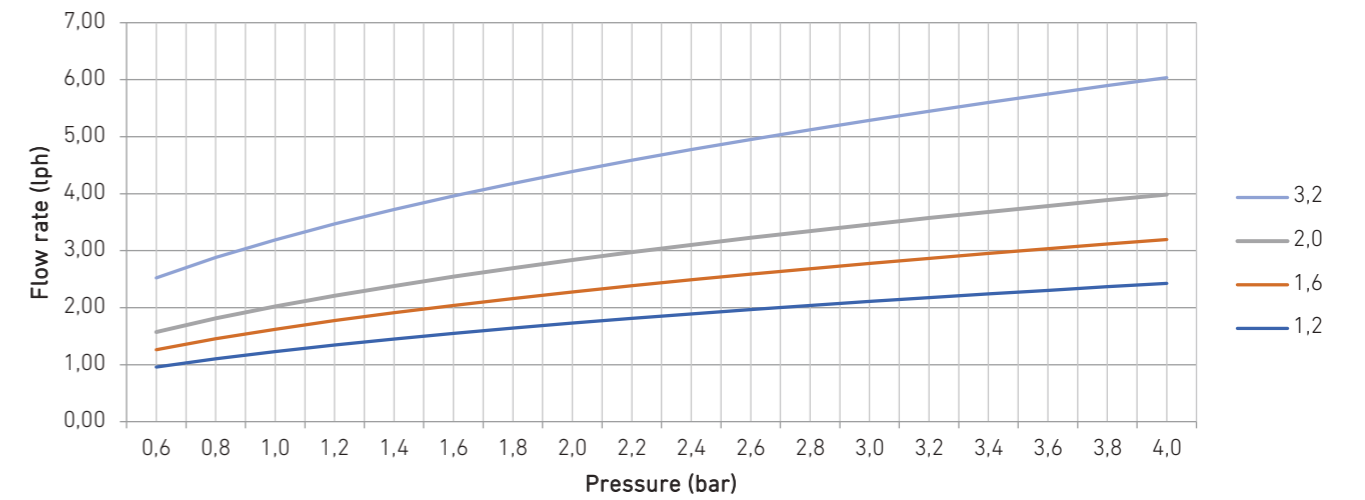
Dripper spacing:  
20-120 cm

Related standards:

ISO 9261 Agricultural irrigation equipment -- Emitters and emitting pipe -- Specifications and test methods



## FLOW RATE VS. PRESSURE



Nominal flow rate lph (1 bar)	Pressure bar																	
	0,6	0,8	1,0	1,2	1,4	1,6	1,8	2,0	2,2	2,4	2,6	2,8	3,0	3,2	3,4	3,6	3,8	4,0
1,2	0,96	1,10	1,23	1,34	1,45	1,55	1,64	1,73	1,81	1,89	1,96	2,04	2,11	2,17	2,24	2,30	2,37	2,43
1,6	1,26	1,45	1,62	1,77	1,91	2,04	2,16	2,28	2,38	2,49	2,59	2,68	2,78	2,86	2,95	3,03	3,12	3,20
2,0	1,57	1,81	2,02	2,21	2,38	2,54	2,69	2,84	2,97	3,10	3,23	3,35	3,46	3,57	3,68	3,78	3,89	3,98
3,2	2,52	2,88	3,19	3,47	3,72	3,96	4,18	4,39	4,58	4,77	4,95	5,12	5,29	5,45	5,60	5,75	5,90	6,04

## CODING INFORMATION

XXX	
Nominal diameter	
16 mm	016
20 mm	020

OVD
-----

XXX	
Wall thickness	
28 mil	028
32 mil	032
36 mil	036
40 mil	040
44 mil	044

XXX	
Dripper spacing	
20 cm	020
25 cm	025
30 cm	030
33 cm	033
40 cm	040
50 cm	050
60 cm	060
75 cm	075
100 cm	100
120 cm	120

XXX	
Flow rate	
1,2 lph	012
1,6 lph	016
2,0 lph	020
3,2 lph	032

**16 MM | TECHNICAL SPECIFICATIONS**

Code	Wall thickness mil/mm	Inner diameter mm	Max working pressure bar	Dripper spacing cm	Coil length m
016 OVD 028 XXX XXX	28/0,70	13,8	2,5	20-120	500
016 OVD 032 XXX XXX	32/0,80	13,8	3,0	20-120	500
016 OVD 036 XXX XXX	36/0,90	13,8	3,5	20-120	500
016 OVD 040 XXX XXX	40/1,00	13,8	4,0	20-120	500

**20 MM | TECHNICAL SPECIFICATIONS**

Code	Wall thickness mil/mm	Inner diameter mm	Max working pressure bar	Dripper spacing cm	Coil length m
020 OVD 032 XXX XXX	32/0,80	17,5	2,5	20-120	400
020 OVD 036 XXX XXX	36/0,90	17,5	3,0	20-120	400
020 OVD 040 XXX XXX	40/1,00	17,5	3,5	20-120	400
020 OVD 044 XXX XXX	44/1,10	17,5	4,0	20-120	400

**16 MM | MAX RECOMMENDED LATERAL LENGTH (M)**

• Flat terrain (0% slope) • 10% Flow variation • Inlet pressure 1 bar

Nominal flow rate lph	Dripper spacing cm									
	20	25	30	33	40	50	60	75	100	120
1,2	74	88	99	106	120	140	158	182	221	248
1,6	61	72	81	87	99	115	129	149	181	204
2,0	53	63	71	76	86	100	113	130	157	183
3,2	41	49	55	59	66	77	87	100	122	141

• Flat terrain (0% slope) • 10% Flow variation • Inlet pressure 1,2 bar

Nominal flow rate lph	Dripper spacing cm									
	20	25	30	33	40	50	60	75	100	120
1,2	77	92	103	110	126	146	166	191	233	262
1,6	63	75	84	91	103	120	136	157	191	215
2,0	55	65	73	79	90	104	118	136	166	193
3,2	43	51	57	61	69	81	92	105	129	149

• Flat terrain (0% slope) • 10% Flow variation • Inlet pressure 1,5 bar

Nominal flow rate lph	Dripper spacing cm									
	20	25	30	33	40	50	60	75	100	120
1,2	82	97	109	117	134	156	177	204	250	281
1,6	67	80	90	96	110	128	145	168	205	231
2,0	59	69	78	83	96	111	127	146	179	208
3,2	45	54	60	65	74	86	98	113	138	160

**20 MM | MAX RECOMMENDED LATERAL LENGTH (M)**

• Flat terrain (0% slope) • 10% Flow variation • Inlet pressure 1 bar

Nominal flow rate lph	Dripper spacing cm									
	20	25	30	33	40	50	60	75	100	120
1,2	121	140	156	166	186	213	238	270	321	357
1,6	99	115	128	136	153	175	195	221	263	293
2,0	86	100	111	119	133	152	170	192	229	263
3,2	67	78	86	92	103	118	131	149	177	203

• Flat terrain (0% slope) • 10% Flow variation • Inlet pressure 1,2 bar

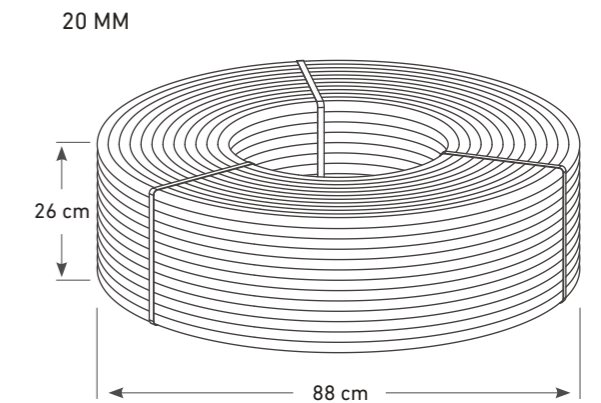
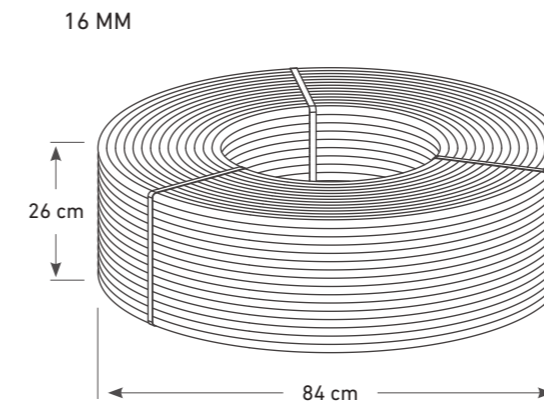
Nominal flow rate lph	Dripper spacing cm									
	20	25	30	33	40	50	60	75	100	120
1,2	125	146	162	173	195	223	250	283	339	376
1,6	103	120	133	142	160	183	205	232	278	309
2,0	89	104	116	123	139	159	178	202	242	278
3,2	69	81	90	96	107	123	138	156	187	214

• Flat terrain (0% slope) • 10% Flow variation • Inlet pressure 1,5 bar

Nominal flow rate lph	Dripper spacing cm									
	20	25	30	33	40	50	60	75	100	120
1,2	133	155	172	183	207	237	267	303	364	404
1,6	109	127	141	150	170	194	219	248	299	333
2,0	95	110	123	131	148	169	191	216	260	298
3,2	73	86	95	101	114	131	148	167	201	230

**LOADING DATA**

	Coil dimensions			Number of coils			
	OD cm	ID cm	Height cm	20' Container	40' Container	40' HC Container	Truck
16 MM	84	44	26	180	369	410	480
20 MM	88	44	26	162	351	390	480





# Dynomine™

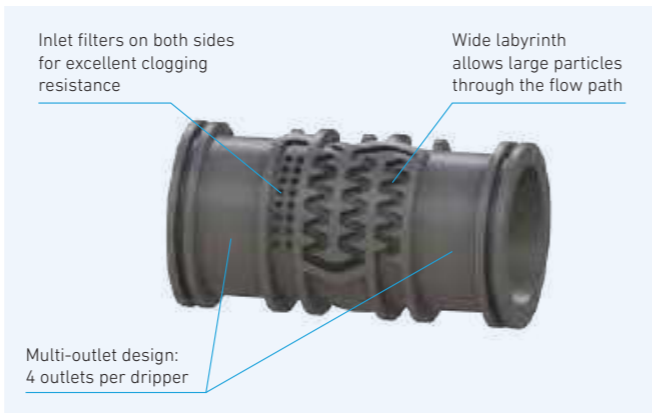
HEAVY WALL DRIPLINE

## APPLICATIONS

- Landscape
- Vineyards
- Orchards
- Greenhouse
- Row crops

## FEATURES

- Small cylindrical integral dripper, cost-effective
- Injected dripper, very low CV value (<3%)
- Large filtration area on both sides with superior clogging resistance
- Wide water passage labyrinth with turbulent flow - prevents particle settling
- Four outlets per dripper to prevent blockage from external factors
- High UV resistant
- Resistant to chemicals and fertilizers used in agriculture



## TECHNICAL DATA

Nominal diameter:  
16 / 20 mm

Wall thickness:  
32 mil-48 mil (0,80-1,20 mm)

Nominal flow rate (1 bar):  
2,0 / 4,0 lph

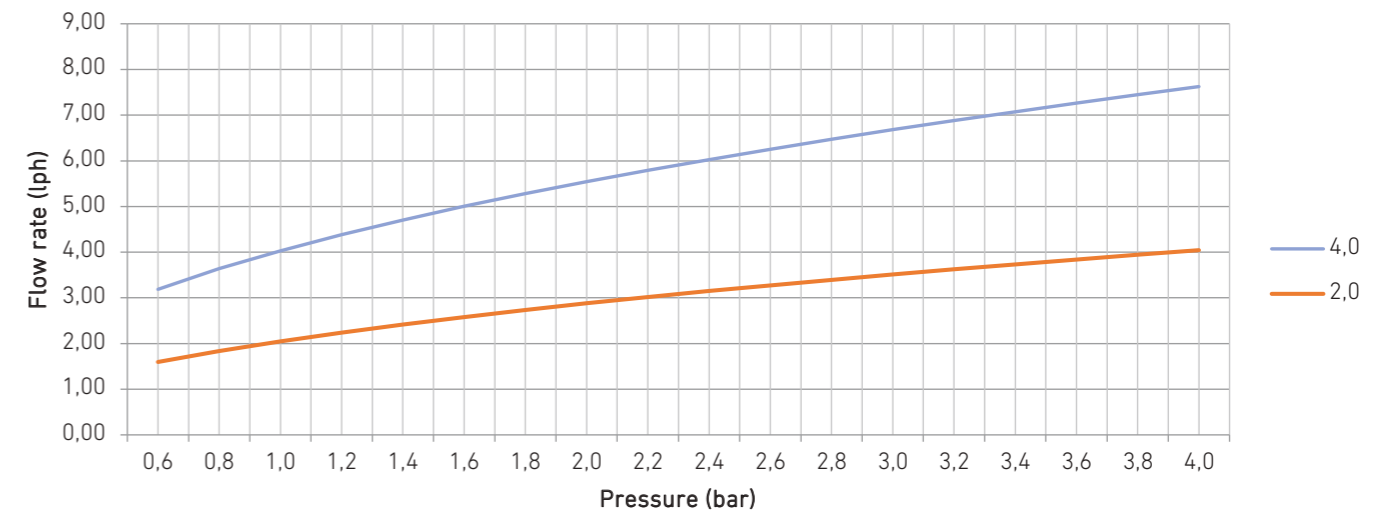
Required filtration:  
125 micron / 120 mesh

Dripper spacing:  
20-120 cm

Related standards:  
ISO 9261 Agricultural irrigation equipment -- Emitters and emitting pipe -- Specifications and test methods

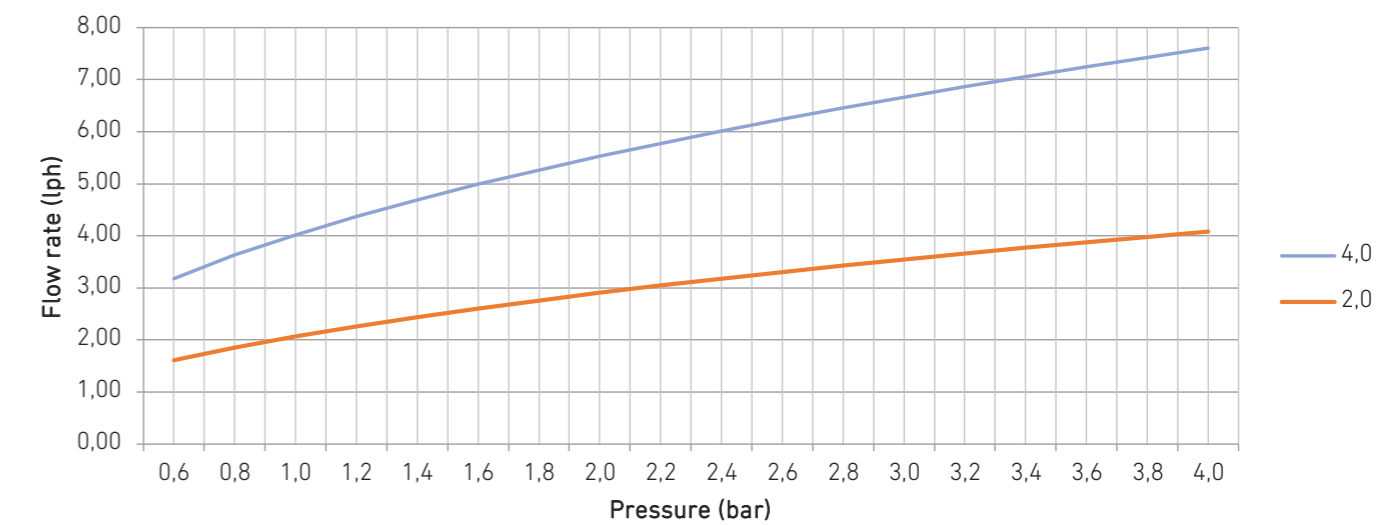


## 16 MM | FLOW RATE VS. PRESSURE



Nominal flow rate lph (1 bar)	Pressure bar																	
	0,6	0,8	1,0	1,2	1,4	1,6	1,8	2,0	2,2	2,4	2,6	2,8	3,0	3,2	3,4	3,6	3,8	4,0
2,0	1,60	1,84	2,05	2,24	2,42	2,58	2,73	2,88	3,02	3,15	3,27	3,40	3,51	3,62	3,73	3,84	3,94	4,04
4,0	3,19	3,64	4,03	4,38	4,70	5,00	5,28	5,54	5,79	6,03	6,25	6,47	6,68	6,88	7,08	7,26	7,45	7,63

## 20 MM | FLOW RATE VS. PRESSURE



Nominal flow rate lph (1 bar)	Pressure bar																	
	0,6	0,8	1,0	1,2	1,4	1,6	1,8	2,0	2,2	2,4	2,6	2,8	3,0	3,2	3,4	3,6	3,8	4,0
2,0	1,61	1,86	2,07	2,26	2,44	2,61	2,76	2,91	3,05	3,18	3,31	3,43	3,55	3,66	3,77	3,88	3,98	4,08
4,0	3,18	3,63	4,02	4,37	4,69	4,99	5,27	5,53	5,78	6,01	6,24	6,46	6,66	6,86	7,06	7,25	7,43	7,61

CODING INFORMATION

XXX		ROD	XXX		XXX		XXX	
Nominal diameter			Wall thickness		Dripper spacing		Flow rate	
16 mm	016		32 mil	032	20 cm	020	2,0 lph	020
20 mm	020		36 mil	036	25 cm	025	4,0 lph	040
			40 mil	040	30 cm	030		
			44 mil	044	33 cm	033		
			48 mil	048	40 cm	040		
					50 cm	050		
					60 cm	060		
					75 cm	075		
					100 cm	100		
					120 cm	120		

16 MM | TECHNICAL SPECIFICATIONS

Code	Wall thickness mil/mm	Inner diameter mm	Max working pressure bar	Dripper spacing cm	Coil length m
016 ROD 032 XXX XXX	32/0,80	13,8	2,5	20-120	400
016 ROD 036 XXX XXX	36/0,90	13,8	3,0	20-120	400
016 ROD 040 XXX XXX	40/1,00	13,8	3,5	20-120	400
016 ROD 044 XXX XXX	44/1,10	13,8	4,0	20-120	400

20 MM | TECHNICAL SPECIFICATIONS

Code	Wall thickness mil/mm	Inner diameter mm	Max working pressure bar	Dripper spacing cm	Coil length m
020 ROD 036 XXX XXX	36/0,90	17,5	2,5	20-120	300
020 ROD 040 XXX XXX	40/1,00	17,5	3,0	20-120	300
020 ROD 044 XXX XXX	44/1,10	17,5	3,5	20-120	300
020 ROD 048 XXX XXX	48/1,20	17,5	4,0	20-120	300

BLANK PIPE SPECIFICATIONS

Code	Wall thickness mil/mm	Inner diameter mm	Max working pressure bar	Coil length m
016 ROD 032 000 000	32/0,80	13,8	2,5	400
016 ROD 036 000 000	36/0,90	13,8	3,0	400
016 ROD 040 000 000	40/1,00	13,8	3,5	400
016 ROD 044 000 000	44/1,10	13,8	4,0	400
020 ROD 036 000 000	36/0,90	17,5	2,5	300
020 ROD 040 000 000	40/1,00	17,5	3,0	300
020 ROD 044 000 000	44/1,10	17,5	3,5	300
020 ROD 048 000 000	48/1,20	17,5	4,0	300

16 MM | MAX RECOMMENDED LATERAL LENGTH (M)

• Flat terrain (0% slope) • 10% Flow variation • Inlet pressure 1 bar

Nominal flow rate lph	Dripper spacing cm									
	20	25	30	33	40	50	60	75	100	120
2,0	51	61	68	73	84	97	110	127	155	180
4,0	35	41	46	49	56	65	74	86	104	117

• Flat terrain (0% slope) • 10% Flow variation • Inlet pressure 1,5 bar

Nominal flow rate lph	Dripper spacing cm									
	20	25	30	33	40	50	60	75	100	120
2,0	56	67	75	80	93	108	124	143	175	204
4,0	38	45	51	54	63	73	84	97	119	133

20 MM | MAX RECOMMENDED LATERAL LENGTH (M)

• Flat terrain (0% slope) • 10% Flow variation • Inlet pressure 1 bar

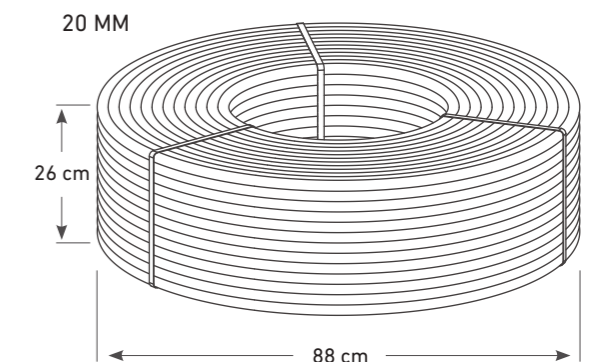
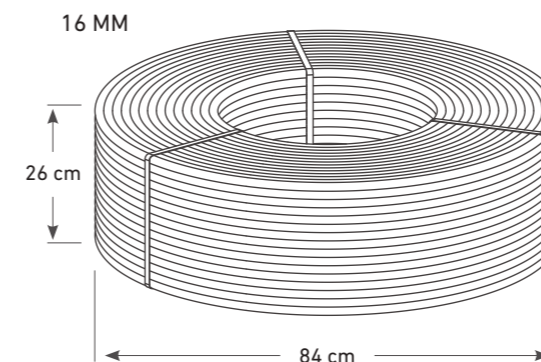
Nominal flow rate lph	Dripper spacing cm									
	20	25	30	33	40	50	60	75	100	120
2,0	82	97	107	114	129	148	166	189	225	259
4,0	56	65	72	77	87	100	112	128	152	168

• Flat terrain (0% slope) • 10% Flow variation • Inlet pressure 1,5 bar

Nominal flow rate lph	Dripper spacing cm									
	20	25	30	33	40	50	60	75	100	120
2,0	91	107	118	126	144	165	186	212	255	294
4,0	62	72	80	85	97	111	126	144	172	191

LOADING DATA

	Coil dimensions			Number of coils			
	OD cm	ID cm	Height cm	20' Container	40' Container	40' HC Container	Truck
16 MM	84	44	26	180	369	410	480
20 MM	88	44	26	162	351	390	480







# Mercure PC™

PRESSURE COMPENSATED DRIPLINE

## APPLICATIONS

- Sloping terrains
- Orchards
- Field crops
- Olive trees
- Greenhouses
- Vineyards
- Vegetable crops

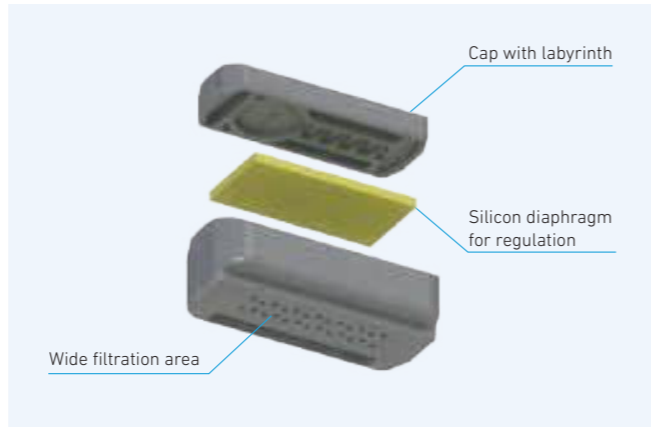
## FEATURES

- Installed on-surface or sub-surface
- Anti-siphon mechanism prevents clogging caused by soil suction to drippers at the end of the irrigation schedule. Due to this feature, Mercure PC™ dripline is very ideal for sub-surface installations.
- Silicon diaphragm has a large housing to move freely
- Injected dripper with compact design and smooth inner surface that ensures low dripper friction factor
- Wide filtration area
- Filtration behind the silicon diaphragm prevents particle entrance
- Compensation is provided by the cap not with a simple channel, with labyrinth, which prevents clogging by forming turbulent flow
- Self-cleaning mechanism
- Wide water passage section to prevent clogging
- High UV resistant
- Resistant to chemicals and fertilizers used in agriculture
- ESC resistance is made according to ISO 8796

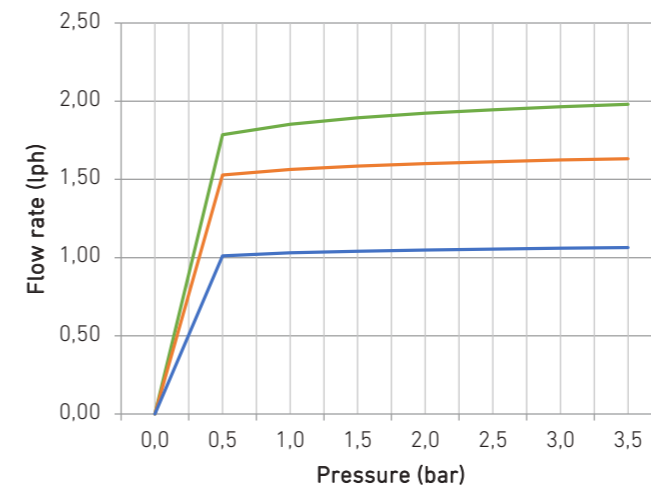
## TECHNICAL DATA

Nominal diameter: 16 / 20 / 22 / 25 mm  
 Wall thickness: 16 mil-44 mil (0,40-1,10 mm)  
 Nominal flow rate: 1,0 / 1,6 / 2,0 lph  
 Required filtration: 125 micron / 120 mesh  
 Dripper spacing: 20-200 cm  
 Pressure compensating range: 0,5-3,5 bar  
 Related standards:

ISO 9261 Agricultural irrigation equipment -- Emitters and emitting pipe -- Specifications and test methods



## FLOW RATE VS. PRESSURE



Nominal flow rate lph	Pressure bar								
	0,0	0,5	1,0	1,5	2,0	2,5	3,0	3,5	
1,0	0,00	1,01	1,03	1,04	1,05	1,05	1,06	1,06	
1,6	0,00	1,53	1,56	1,59	1,60	1,61	1,62	1,63	
2,0	0,00	1,79	1,85	1,89	1,92	1,95	1,96	1,98	

## CODING INFORMATION

XXX		XXX		XXX		XXX		XXX	
Nominal diameter		Dripline type		Wall thickness		Dripper spacing		Flow rate	
16 mm	016	FPC	16 mil	016	20 cm	020	1,0 lph	010	
20 mm	020	OPC	20 mil	020	25 cm	025	1,6 lph	016	
22 mm	022		24 mil	024	30 cm	030	2,0 lph	020	
25 mm	025		28 mil	028	33 cm	033			
			32 mil	032	40 cm	040			
			36 mil	036	50 cm	050			
			40 mil	040	60 cm	060			
			44 mil	044	75 cm	075			
					100 cm	100			
					120 cm	120			
					150 cm	150			
					200 cm	200			

## 16 MM FPC | TECHNICAL SPECIFICATIONS

Code	Wall thickness mil/mm	Inner diameter mm	Max working pressure bar	Reel length (Type D) m
016 FPC 016 XXX XXX	16/0,40	15,9	1,8	1000
016 FPC 020 XXX XXX	20/0,50	15,8	2,0	800
016 FPC 024 XXX XXX	24/0,60	15,7	2,2	700
016 FPC 036 XXX XXX	36/0,90	15,6	3,2	400
016 FPC 040 XXX XXX	40/1,00	15,6	3,5	350

## 22 MM FPC | TECHNICAL SPECIFICATIONS

Code	Wall thickness mil/mm	Inner diameter mm	Max working pressure bar	Reel length (Type D) m
022 FPC 016 XXX XXX	16/0,40	21,9	1,6	750
022 FPC 020 XXX XXX	20/0,50	21,8	1,8	600
022 FPC 024 XXX XXX	24/0,60	21,7	2,0	500

## 25 MM FPC | TECHNICAL SPECIFICATIONS

Code	Wall thickness mil/mm	Inner diameter mm	Max working pressure bar	Reel length (Type D) m
025 FPC 016 XXX XXX	16/0,40	24,9	1,5	700
025 FPC 020 XXX XXX	20/0,50	24,8	1,7	550
025 FPC 024 XXX XXX	24/0,60	24,7	1,9	450

16 MM OPC | TECHNICAL SPECIFICATIONS

Code	Wall thickness mil/mm	Inner diameter mm	Max working pressure bar	Coil length m
016 OPC 028 XXX XXX	28/0,70	13,8	2,5	500
016 OPC 032 XXX XXX	32/0,80	13,8	3,0	500
016 OPC 036 XXX XXX	36/0,90	13,8	3,5	500
016 OPC 040 XXX XXX	40/1,00	13,8	3,5	500

20 MM OPC | TECHNICAL SPECIFICATIONS

Code	Wall thickness mil/mm	Inner diameter mm	Max working pressure bar	Coil length m
020 OPC 032 XXX XXX	32/0,80	17,5	2,5	400
020 OPC 036 XXX XXX	36/0,90	17,5	3,0	400
020 OPC 040 XXX XXX	40/1,00	17,5	3,5	400
020 OPC 044 XXX XXX	44/1,10	17,5	3,5	400

16 MM FPC | MAX RECOMMENDED LATERAL LENGTH (M)

1 LPH

Dripper spacing (cm)	Inlet pressure (bar)					
	1	1,5	2	2,5	3	3,5
20	97	119	138	154	165	175
25	119	146	169	185	202	215
30	141	173	200	221	238	254
33	152	188	217	240	260	275
40	181	223	260	283	308	327
50	220	271	310	342	371	394
60	256	315	363	400	431	458
75	305	375	431	477	515	546
100	381	469	538	592	640	681
120	437	538	619	683	736	783
150	518	638	731	806	871	927
200	630	775	890	983	1058	1127

1,6 LPH

Dripper spacing (cm)	Inlet pressure (bar)					
	1	1,5	2	2,5	3	3,5
20	80	98	114	128	136	145
25	98	121	140	154	167	178
30	116	143	166	183	197	211
33	126	155	180	199	216	228
40	150	185	216	235	256	271
50	182	224	257	283	307	326
60	212	261	300	331	357	380
75	253	311	357	395	426	452
100	316	388	445	490	530	565
120	362	445	513	566	609	649
150	429	528	606	668	722	768
200	522	642	737	815	877	934

2 LPH

Dripper spacing (cm)	Inlet pressure (bar)					
	1	1,5	2	2,5	3	3,5
20	69	85	98	110	118	125
25	85	104	121	132	144	153
30	100	124	143	158	170	182
33	109	134	155	171	186	196
40	129	159	186	202	220	234
50	157	193	222	244	265	281
60	183	225	259	286	308	327
75	218	268	308	341	368	390
100	272	335	384	423	457	487
120	312	384	442	488	525	560
150	370	455	522	576	622	662
200	450	554	636	702	756	805

22 MM FPC | MAX RECOMMENDED LATERAL LENGTH (M)

1 LPH

Dripper spacing (cm)	Inlet pressure (bar)					
	1	1,5	2	2,5	3	3,5
20	177	217	252	282	301	320
25	217	267	309	339	370	393
30	257	316	366	404	435	465
33	279	343	397	438	477	503
40	332	408	477	519	564	599
50	403	496	568	625	679	721
60	468	576	663	732	789	839
75	558	686	789	873	942	999
100	698	858	984	1083	1171	1247
120	800	984	1132	1251	1346	1434
150	949	1167	1338	1476	1594	1697
200	1153	1418	1628	1800	1937	2063

1,6 LPH

Dripper spacing (cm)	Inlet pressure (bar)					
	1	1,5	2	2,5	3	3,5
20	146	180	209	234	250	265
25	180	221	256	281	306	325
30	213	262	303	335	360	385
33	231	284	329	363	395	417
40	275	338	395	430	468	496
50	334	411	471	518	562	597
60	388	477	550	607	654	695
75	462	569	654	723	780	828
100	578	711	815	897	970	1033
120	663	815	938	1036	1115	1188
150	786	967	1109	1223	1321	1406
200	956	1175	1349	1491	1605	1709

2 LPH

Dripper spacing (cm)	Inlet pressure (bar)					
	1	1,5	2	2,5	3	3,5
20	126	155	180	202	215	229
25	155	191	221	242	264	281
30	184	226	261	289	310	332
33	199	245	283	313	340	360
40	237	291	340	370	403	428
50	288	354	406	447	485	515
60	334	411	474	523	564	599
75	399	490	564	624	673	714
100	498	613	703	773	836	891
120	571	703	809	893	961	1024
150	678	833	956	1054	1138	1212
200	824	1013	1163	1286	1384	1473

25 MM FPC | MAX RECOMMENDED LATERAL LENGTH (M)

1 LPH

Dripper spacing (cm)	Inlet pressure (bar)					
	1	1,5	2	2,5	3	3,5
20	229	281	326	365	390	415
25	281	346	400	439	479	509
30	333	410	474	523	563	602
33	361	444	514	568	617	652
40	430	528	617	672	731	775
50	522	642	736	810	879	933
60	606	746	859	948	1022	1086
75	723	889	1022	1131	1220	1294
100	903	1111	1274	1402	1516	1615
120	1036	1274	1467	1620	1743	1857
150	1229	1511	1733	1911	2064	2197
200	1493	1837	2109	2331	2509	2672

1,6 LPH

Dripper spacing (cm)	Inlet pressure (bar)					
	1	1,5	2	2,5	3	3,5
20	190	233	270	303	323	344
25	233	286	331	364	397	421
30	276	340	393	434	466	499
33	299	368	426	471	511	540
40	356	438	511	556	606	642
50	432	532	610	671	728	773
60	502	618	712	786	847	900
75	599	736	847	937	1011	1072
100	748	921	1056	1162	1256	1338
120	858	1056	1215	1342	1444	1538
150	1018	1252	1436	1583	1710	1821
200	1237	1522	1747	1931	2079	2214

2 LPH

Dripper spacing (cm)	Inlet pressure (bar)					
	1	1,5	2	2,5	3	3,5
20	163	201	233	261	279	296
25	201	247	286	314	342	363
30	238	293	339	374	402	430
33	258	317	367	406	441	466
40	307	377	441	480	522	554
50	373	459	526	578	628	667
60	433	533	614	677	730	776
75	516	635	730	808	871	924
100	645	794	910	1002	1083	1153
120	740	910	1048	1157	1245	1326
150	878	1079	1238	1365	1474	1570
200	1067	1312	1506	1665	1792	1908

16 MM OPC | MAX RECOMMENDED LATERAL LENGTH (M)

1 LPH

Dripper spacing (cm)	Inlet pressure (bar)					
	1	1,5	2	2,5	3	3,5
20	80	98	113	127	136	144
25	98	120	139	153	167	177
30	116	143	165	182	196	210
33	126	155	179	198	215	227
40	150	184	215	234	254	270
50	182	223	256	282	306	325
60	211	260	299	330	356	378
75	252	309	356	394	425	450
100	314	387	443	488	528	562
120	361	443	511	564	607	646
150	428	526	603	665	719	765
200	520	639	734	811	873	930

1,6 LPH

Dripper spacing (cm)	Inlet pressure (bar)					
	1	1,5	2	2,5	3	3,5
20	66	81	94	105	113	120
25	81	100	115	127	138	147
30	96	118	137	151	162	174
33	104	128	148	164	178	188
40	124	152	178	194	211	224
50	151	185	212	234	254	269
60	175	215	248	273	295	313
75	208	256	295	326	352	373
100	261	320	367	405	437	466
120	299	367	423	467	503	536
150	354	436	500	551	595	634
200	431	530	608	672	724	771

2 LPH

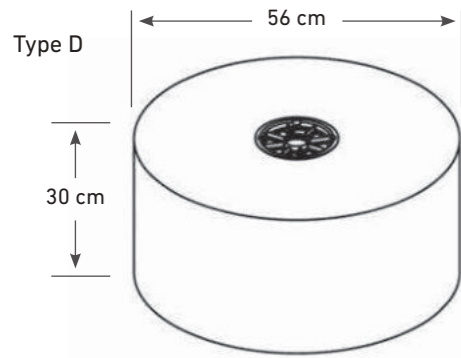
Dripper spacing (cm)	Inlet pressure (bar)					
	1	1,5	2	2,5	3	3,5
20	57	70	81	91	97	103
25	70	86	99	109	119	126
30	83	102	118	130	140	150
33	90	111	128	141	153	162
40	107	131	153	167	182	193
50	130	160	183	201	219	232
60	151	185	214	236	254	270
75	180	221	254	281	303	322
100	225	276	317	349	377	402
120	258	317	365	403	433	462
150	305	376	431	475	513	546
200	371	457	524	580	624	664

20 MM OPC | MAX RECOMMENDED LATERAL LENGTH (M)

1 LPH

Dripper spacing (cm)	Inlet pressure (bar)					
	1	1,5	2	2,5	3	3,5
20	120	148	17			

**FPC | LOADING DATA**



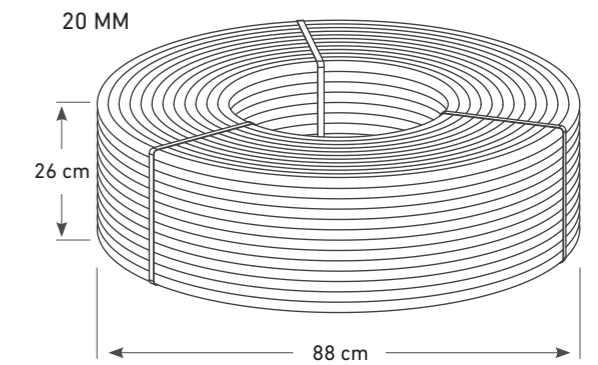
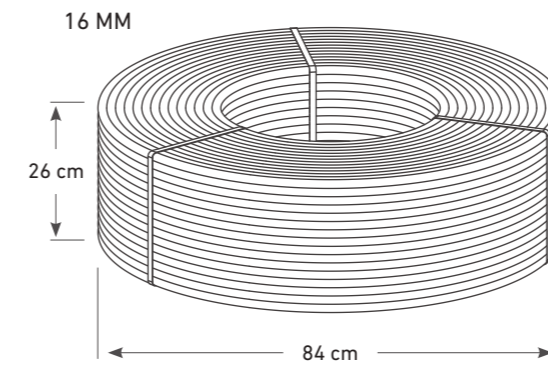
	20' DC Container	40' DC Container	40' HC Container	Truck
Reels per layer	4	4	4	4
Layers per pallet	6	6	7	8
Pallet dimensions	L: 114 cm W: 114 cm H: 200 cm	L: 114 cm W: 114 cm H: 200 cm	L: 114 cm W: 114 cm H: 230 cm	L: 114 cm W: 114 cm H: 260 cm
Reels per pallet	24	24	28	32
Number of pallets	10	20	20	22
Number of reels	240	480 + 28*	560 + 32*	704

\* Loose reels



**OPC | LOADING DATA**

	Coil dimensions			Number of coils			
	OD cm	ID cm	Height cm	20' Container	40' Container	40' HC Container	Truck
16 MM	84	44	26	180	369	410	480
20 MM	88	44	26	162	351	390	480





# Dynomac PC™

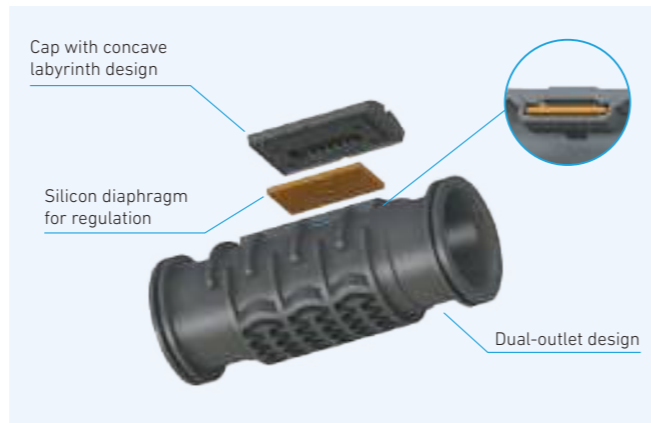
PRESSURE COMPENSATED DRIPLINE

## APPLICATIONS

- Sloping terrains
- Orchards
- Field crops
- Olive trees
- Greenhouses
- Vineyards
- Hard-shell products such as almonds, walnuts, pistachio

## FEATURES

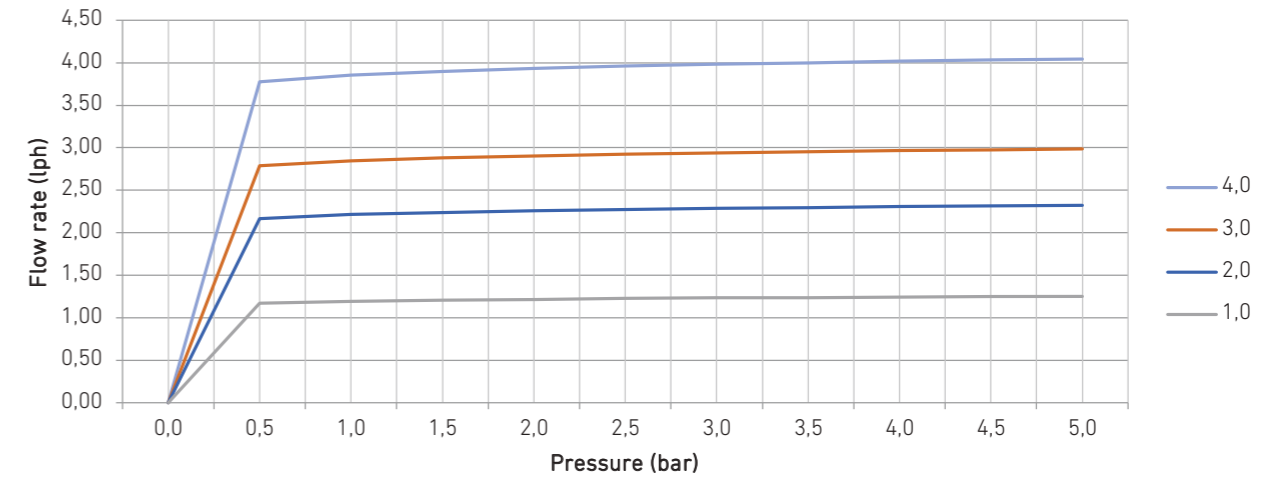
- Installed on-surface or sub-surface
- Anti-siphon mechanism prevents clogging caused by soil suction to drippers at the end of the irrigation schedule. Due to this feature, Dynomac PC™ dripline is very ideal for sub-surface installations.
- Silicon diaphragm has a large housing to move freely
- Injected dripper with compact design and smooth inner surface that ensures low dripper friction factor
- Wide filtration area
- Filtration behind the silicon diaphragm prevents particle entrance
- Compensation is provided by the cap not with a simple channel, with concave labyrinth design, which prevents clogging by forming turbulent flow
- Self-cleaning mechanism
- Wide water passage section to prevent clogging
- Dual outlets to prevent blockage from external factors
- High UV resistant
- Resistant to chemicals and fertilizers used in agriculture
- ESC resistance is made according to ISO 8796



## TECHNICAL DATA

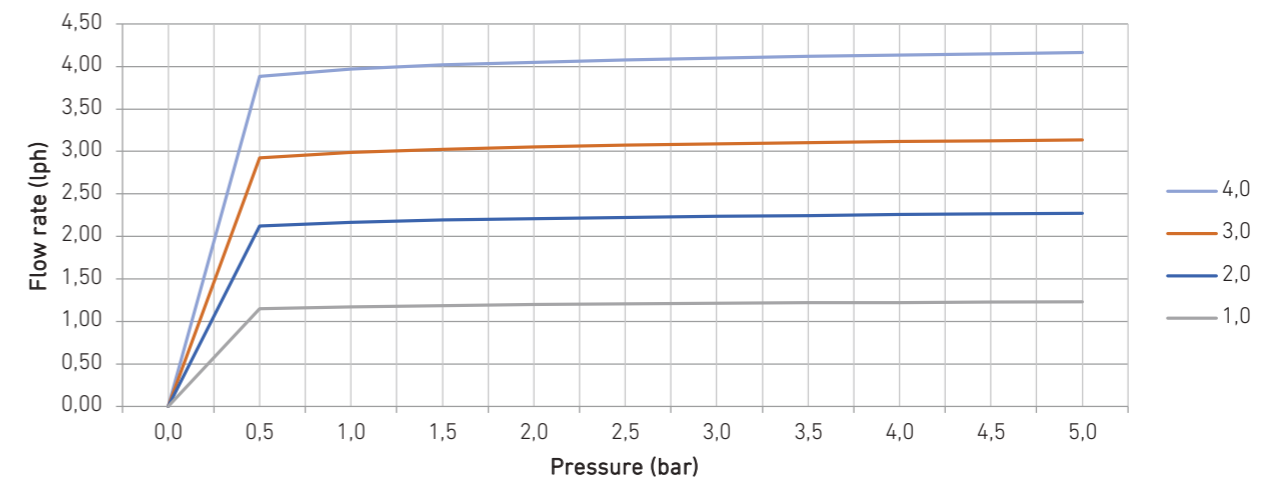
Nominal diameter: 16 / 20 mm  
 Wall thickness: 36 mil-48 mil (0,90-1,20 mm)  
 Nominal flow rate: 1,0 / 2,0 / 3,0 / 4,0 lph  
 Required filtration: 125 micron / 120 mesh  
 Dripper spacing: 20-200 cm  
 Pressure compensating range: 0,5-5,0 bar  
 Related standards:  
 ISO 9261 Agricultural irrigation equipment -- Emitters and emitting pipe -- Specifications and test methods

## 16 MM | FLOW RATE VS. PRESSURE



Nominal flow rate lph	Pressure bar										
	0,0	0,5	1,0	1,5	2,0	2,5	3,0	3,5	4,0	4,5	5,0
1,0	0,00	1,17	1,19	1,21	1,22	1,23	1,23	1,24	1,24	1,25	1,25
2,0	0,00	2,17	2,21	2,24	2,26	2,27	2,29	2,30	2,31	2,32	2,32
3,0	0,00	2,79	2,85	2,88	2,91	2,93	2,94	2,95	2,97	2,98	2,99
4,0	0,00	3,77	3,85	3,90	3,93	3,96	3,98	4,00	4,02	4,03	4,04

## 20 MM | FLOW RATE VS. PRESSURE



Nominal flow rate lph	Pressure bar										
	0,0	0,5	1,0	1,5	2,0	2,5	3,0	3,5	4,0	4,5	5,0
1,0	0,00	1,15	1,17	1,19	1,20	1,21	1,21	1,22	1,22	1,23	1,23
2,0	0,00	2,12	2,17	2,19	2,21	2,23	2,24	2,25	2,26	2,26	2,27
3,0	0,00	2,93	2,99	3,02	3,05	3,07	3,09	3,10	3,11	3,13	3,14
4,0	0,00	3,89	3,97	4,02	4,05	4,08	4,10	4,12	4,14	4,15	4,16

**CODING INFORMATION**

XXX		RPC		XXX		XXX		XXX	
Nominal diameter				Wall thickness		Dripper spacing		Flow rate	
16 mm	016			36 mil	036	20 cm	020	1,0 lph	010
20 mm	020			40 mil	040	25 cm	025	2,0 lph	020
				44 mil	044	30 cm	030	3,0 lph	030
				48 mil	048	33 cm	033	4,0 lph	040
						40 cm	040		
						50 cm	050		
						60 cm	060		
						75 cm	075		
						100 cm	100		
						120 cm	120		
						150 cm	150		
						200 cm	200		

**16 MM | TECHNICAL SPECIFICATIONS**

Code	Wall thickness mil/mm	Inner diameter mm	Max working pressure bar	Coil length m
016 RPC 036 XXX XXX	36/0,90	13,8	4,0	400
016 RPC 040 XXX XXX	40/1,00	13,8	4,5	400
016 RPC 044 XXX XXX	44/1,10	13,8	5,0	400
016 RPC 048 XXX XXX	48/1,20	13,8	5,0	400

**20 MM | TECHNICAL SPECIFICATIONS**

Code	Wall thickness mil/mm	Inner diameter mm	Max working pressure bar	Coil length m
020 RPC 036 XXX XXX	36/0,90	17,5	3,5	300
020 RPC 040 XXX XXX	40/1,00	17,5	4,0	300
020 RPC 044 XXX XXX	44/1,10	17,5	4,5	300
020 RPC 048 XXX XXX	48/1,20	17,5	5,0	300

**16 MM | MAX RECOMMENDED LATERAL LENGTH (M)**

1 LPH

Dripper spacing cm	Inlet pressure (bar)							
	1,5	2	2,5	3	3,5	4	4,5	5
20	82	95	105	113	120	128	135	141
25	102	116	128	138	147	155	162	169
30	119	137	151	163	174	183	192	200
33	130	149	164	178	189	199	210	219
40	154	177	195	210	224	236	247	257
50	184	212	234	253	269	283	297	311
60	215	247	273	294	313	330	346	361
75	257	294	326	351	374	394	412	429
100	319	367	405	437	465	490	516	551
120	367	422	466	503	552	601	623	648
150	434	499	580	632	669	703	735	768
200	543	646	707	766	819	864	902	948

2 LPH

Dripper spacing cm	Inlet pressure (bar)							
	1,5	2	2,5	3	3,5	4	4,5	5
20	57	66	74	79	84	90	94	98
25	70	81	89	97	103	109	114	119
30	83	96	106	114	122	128	134	140
33	90	104	115	125	132	139	146	153
40	107	125	136	148	157	166	174	180
50	130	149	164	178	189	200	208	218
60	151	174	192	207	220	232	243	252
75	180	207	229	247	262	277	289	303
100	225	258	284	307	327	344	360	377
120	258	297	328	353	376	396	415	433
150	306	351	387	418	445	470	491	511
200	372	427	472	508	541	571	597	631

3 LPH

Dripper spacing cm	Inlet pressure (bar)							
	1,5	2	2,5	3	3,5	4	4,5	5
20	53	60	67	74	80	83	86	88
25	64	71	76	81	86	91	96	99
30	78	88	96	102	105	108	111	113
33	85	97	104	108	113	116	120	124
40	101	111	122	128	134	139	144	147
50	116	130	139	148	156	165	173	182
60	131	145	158	172	182	192	203	214
75	150	172	189	204	217	224	235	244
100	186	213	235	254	271	285	297	309
120	214	246	271	292	309	325	336	348
150	253	290	318	342	364	384	396	412
200	306	349	385	416	442	467	488	509

4 LPH

Dripper spacing cm	Inlet pressure (bar)							
	1,5	2	2,5	3	3,5	4	4,5	5
20	37	45	50	54	58	61	64	66
25	49	55	60	66	71	75	78	81
30	56	65	73	78	83	88	92	96
33	61	72	79	85	91	97	102	107
40	75	85	94	101	107	113	118	122
50	89	103	113	123	130	137	142	147
60	104	120	132	142	151	159	166	172
75	125	143	158	171	182	191	198	207
100	156	179	198	213	227	239	249	259
120	180	207	229	247	263	275	286	296
150	211	242	267	288	307	324	336	348
200	263	302	333	359	383	403	423	436



# Dynomine Brown™

HEAVY WALL BROWN DRIPLINE

## CODING INFORMATION

XXX		ROD	BXX		XXX		XXX	
Nominal diameter			Wall thickness		Dripper spacing		Flow rate	
16 mm	016		32 mil	B32	20 cm	020	2,0 lph	020
20 mm	020		36 mil	B36	25 cm	025	4,0 lph	040
			40 mil	B40	30 cm	030		
			44 mil	B44	33 cm	033		
			48 mil	B48	40 cm	040		
					50 cm	050		
					60 cm	060		
					75 cm	075		
					100 cm	100		
					120 cm	120		

## BLANK PIPE SPECIFICATIONS

Code	Wall thickness mil/mm	Inner diameter mm	Max working pressure bar	Coil length m
016 ROD B32 000 000	32/0,80	13,8	2,5	400
016 ROD B36 000 000	36/0,90	13,8	3,0	400
016 ROD B40 000 000	40/1,00	13,8	3,5	400
016 ROD B44 000 000	44/1,10	13,8	4,0	400
020 ROD B36 000 000	36/0,90	17,5	2,5	300
020 ROD B40 000 000	40/1,00	17,5	3,0	300
020 ROD B44 000 000	44/1,10	17,5	3,5	300
020 ROD B48 000 000	48/1,20	17,5	4,0	300

## 16 MM | TECHNICAL SPECIFICATIONS

Code	Wall thickness mil/mm	Inner diameter mm	Max working pressure bar	Dripper spacing cm	Coil length m
016 ROD B32 XXX XXX	32/0,80	13,8	2,5	20-120	400
016 ROD B36 XXX XXX	36/0,90	13,8	3,0	20-120	400
016 ROD B40 XXX XXX	40/1,00	13,8	3,5	20-120	400
016 ROD B44 XXX XXX	44/1,10	13,8	4,0	20-120	400

## 20 MM | TECHNICAL SPECIFICATIONS

Code	Wall thickness mil/mm	Inner diameter mm	Max working pressure bar	Dripper spacing cm	Coil length m
020 ROD B36 XXX XXX	36/0,90	17,5	2,5	20-120	300
020 ROD B40 XXX XXX	40/1,00	17,5	3,0	20-120	300
020 ROD B44 XXX XXX	44/1,10	17,5	3,5	20-120	300
020 ROD B48 XXX XXX	48/1,20	17,5	4,0	20-120	300

# DRIPLINES

## DYNAMAC PC™

### 20 MM | MAX RECOMMENDED LATERAL LENGTH (M)

#### 1 LPH

Dripper spacing cm	Inlet pressure (bar)							
	1,5	2	2,5	3	3,5	4	4,5	5
20	130	151	167	179	190	203	214	224
25	162	184	203	219	233	246	257	268
30	189	217	240	259	276	290	305	317
33	206	236	260	282	300	316	333	347
40	244	281	309	333	355	374	392	408
50	292	336	371	401	427	449	471	493
60	341	392	433	466	496	523	549	573
75	408	466	517	557	593	625	654	680
100	506	582	642	693	738	777	818	874
120	582	669	739	798	876	953	988	1028
150	688	792	920	1002	1061	1115	1166	1218
200	861	1025	1121	1215	1299	1370	1431	1504

#### 2 LPH

Dripper spacing cm	Inlet pressure (bar)							
	1,5	2	2,5	3	3,5	4	4,5	5
20	91	105	118	126	134	144	150	156
25	112	129	142	155	164	174	182	190
30	132	153	169	182	195	204	214	223
33	144	166	183	199	211	222	233	244
40	171	199	217	236	250	265	278	287
50	207	238	262	284	302	319	332	348
60	241	278	306	330	351	370	388	402
75	287	330	365	394	418	442	461	483
100	359	412	453	490	522	549	574	601
120	412	474	523	563	600	632	662	691
150	488	560	617	667	710	750	783	815
200	593	681	753	810	863	911	952	1007

#### 3 LPH

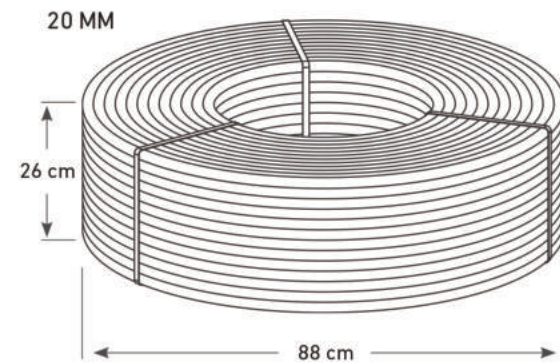
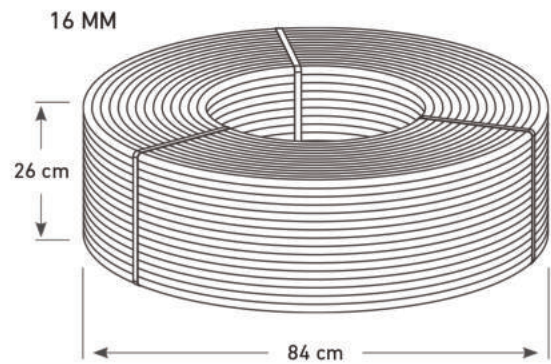
Dripper spacing cm	Inlet pressure (bar)							
	1,5	2	2,5	3	3,5	4	4,5	5
20	78	88	98	109	118	122	126	129
25	94	104	112	119	126	134	141	146
30	115	129	141	150	154	159	163	166
33	125	143	153	159	166	170	176	182
40	148	163	179	188	197	204	212	216
50	170	191	204	218	229	243	254	268
60	193	213	232	253	268	282	298	315
75	220	253	278	300	319	329	345	359
100	273	313	345	373	398	419	437	454
120	315	362	398	429	454	478	494	511
150	372	426	467	503	535	564	582	606
200	450	513	566	611	650	686	717	748

#### 4 LPH

Dripper spacing cm	Inlet pressure (bar)							
	1,5	2	2,5	3	3,5	4	4,5	5
20	56	68	76	82	88	92	97	100
25	74	83	91	100	107	114	118	123
30	85	98	110	118	126	133	139	145
33	92	109	120	129	138	147	154	162
40	114	129	142	153	162	171	179	185
50	135	156	171	186	197	207	215	222
60	157	182	200	215	229	241	251	260
75	189	216	239	259	275	289	300	313
100	236	271	300	322	344	362	377	392
120	272	313	347	374	398	416	433	448
150	319	366	404	436	465	490	509	527
200	398	457	504	543	580	610	640	660

### LOADING DATA

	Coil dimensions			Number of coils			
	OD cm	ID cm	Height cm	20' Container	40' Container	40' HC Container	Truck
16 MM	84	44	26	180	369	410	480
20 MM	88	44	26	162	351	390	480



## Dynomac PC Brown™

PRESSURE COMPENSATED BROWN DRIPLINE

### 16 MM | TECHNICAL SPECIFICATIONS

Code	Wall thickness mil/mm	Inner diameter mm	Max working pressure bar	Coil length m
016 RPC B36 XXX XXX	36/0,90	13,8	4,0	400
016 RPC B40 XXX XXX	40/1,00	13,8	4,5	400
016 RPC B44 XXX XXX	44/1,10	13,8	5,0	400
016 RPC B48 XXX XXX	48/1,20	13,8	5,0	400

### 20 MM | TECHNICAL SPECIFICATIONS

Code	Wall thickness mil/mm	Inner diameter mm	Max working pressure bar	Coil length m
020 RPC B36 XXX XXX	36/0,90	17,5	3,5	300
020 RPC B40 XXX XXX	40/1,00	17,5	4,0	300
020 RPC B44 XXX XXX	44/1,10	17,5	4,5	300
020 RPC B48 XXX XXX	48/1,20	17,5	5,0	300

### CODING INFORMATION

XXX	
Nominal diameter	
16 mm	016
20 mm	020

RPC
-----

BXX	
Wall thickness	
36 mil	B36
40 mil	B40
44 mil	B44
48 mil	B48

XXX	
Dripper spacing	
20 cm	020
25 cm	025
30 cm	030
33 cm	033
40 cm	040
50 cm	050
60 cm	060
75 cm	075
100 cm	100
120 cm	120
150 cm	150
200 cm	200

XXX	
Flow rate	
1,0 lph	010
2,0 lph	020
3,0 lph	030
4,0 lph	040



# DRIP IRRIGATION FITTINGS

OFFTAKE CONNECTORS

MINI VALVES

COUPLINGS

END PLUGS

SEALING RUBBERS

DISTRIBUTORS

ACCESSORIES

ASSEMBLY TOOLS



## DRIP IRRIGATION FITTINGS OFFTAKE CONNECTORS



### OFFTAKE CONNECTOR WITH RING

Connects thin wall dripline to sealing rubber inserted outlet

Product code	Catalog numbers	Size	Bag quantity	Box quantity	Box weight	Package type
016 OFY C14 000 Y16	802.04.01010	14 x 16 mm	50	1000	7,1 kg	A
016 OFY C16 000 Y16	802.04.01020	16 x 16 mm	50	1000	7,3 kg	A
020 OFY C20 000 Y20	802.04.01030	20 x 20 mm	50	700	6,6 kg	A
022 OFY C20 000 Y22	802.04.01040	20 x 22 mm	50	400	5,4 kg	A
025 OFY C25 000 Y25	802.04.01050	25 x 25 mm	50	350	5,6 kg	A



### OFFTAKE CONNECTOR WITH NUT

Connects thin/medium wall dripline to sealing rubber inserted outlet

Product code	Catalog numbers	Size	Bag quantity	Box quantity	Box weight	Package type
016 OFS C14 000 S16	802.04.02010	14 x 16 mm	50	700	7,5 kg	A
016 OFS C16 000 S16	802.04.02020	16 x 16 mm	50	600	6,2 kg	A
020 OFS C20 000 S20	802.04.02030	20 x 20 mm	50	400	4,9 kg	A
022 OFS C20 000 S22	802.04.02040	20 x 22 mm	50	350	5,1 kg	A
025 OFS C25 000 S25	802.04.02050	25 x 25 mm	50	200	4,6 kg	A



### BARBED OFFTAKE CONNECTOR

Connects thick wall dripline to sealing rubber inserted outlet

Product code	Catalog numbers	Size	Bag quantity	Box quantity	Box weight	Package type
016 OFK C15 000 K16	802.04.03010	15 x 16 mm	50	1200	5,5 kg	A
016 OFK C16 000 K16	802.04.03020	16 x 16 mm	50	1200	5,2 kg	A
020 OFK C20 000 K20	802.04.03030	20 x 20 mm	50	750	4,4 kg	A
025 OFK C25 000 K25	802.04.03040	25 x 25 mm	50	400	4,2 kg	A



### SELF-SEAL BARBED OFFTAKE CONNECTOR

Connects thick wall dripline to outlet w/o sealing rubber

Product code	Catalog numbers	Size	Bag quantity	Box quantity	Box weight	Package type
016 OCK C16 D17 K16	802.04.04010	16 x 16 mm	50	1100	6,6 kg	A

## DRIP IRRIGATION FITTINGS OFFTAKE CONNECTORS



### MALE THREADED OFFTAKE CONNECTOR

Obtains male thread from sealing rubber inserted outlet

Product code	Catalog numbers	Size	Bag quantity	Box quantity	Box weight	Package type
020 OFM C20 000 M04	802.04.05010	20 mm x 3/4"	50	500	5,9 kg	A



### LOCK TYPE OFFTAKE CONNECTOR

Connects medium/thick wall dripline to sealing rubber inserted outlet

Product code	Catalog numbers	Size	Bag quantity	Box quantity	Box weight	Package type
016 OFG C20 000 G16	802.04.06010	20 x 16 mm	50	300	7,8 kg	A
020 OFG C20 000 G20	802.04.06020	20 x 20 mm	50	300	7,8 kg	A



### MALE THREADED OFFTAKE CONNECTOR WITH RING

Connects thin wall dripline to female threaded outlet

Product code	Catalog numbers	Size	Bag quantity	Box quantity	Box weight	Package type
016 OFY M03 000 Y16	802.04.07010	16 mm x 1/2"	50	700	7,1 kg	A
016 OFY M04 000 Y16	802.04.07020	16 mm x 3/4"	50	500	6,8 kg	A
020 OFY M04 000 Y20	802.04.07030	20 mm x 3/4"	50	400	5,9 kg	A
022 OFY M04 000 Y22	802.04.07040	22 mm x 3/4"	50	400	6,3 kg	A



### MALE THREADED OFFTAKE CONNECTOR WITH NUT

Connects thin/medium wall dripline to female threaded outlet

Product code	Catalog numbers	Size	Bag quantity	Box quantity	Box weight	Package type
016 OFS M03 000 S16	802.04.08010	16 mm x 1/2"	50	600	7,3 kg	A
016 OFS M04 000 S16	802.04.08020	16 mm x 3/4"	50	450	7,3 kg	A
020 OFS M04 000 S20	802.04.08030	20 mm x 3/4"	50	350	5,9 kg	A
022 OFS M04 000 S22	802.04.08040	22 mm x 3/4"	50	350	5,6 kg	A



**MALE THREADED LOCK TYPE OFFTAKE CONNECTOR**

Connects medium/thick wall dripline to female threaded outlet

Product code	Catalog numbers	Size	Bag quantity	Box quantity	Box weight	Package type
016 OMG M03 000 G16	802.04.09010	16 mm x 1/2"	50	400	8 kg	A
016 OMG M04 000 G16	802.04.09020	16 mm x 3/4"	50	300	8,1 kg	A
020 OMG M04 000 G20	802.04.09030	20 mm x 3/4"	50	300	8,1 kg	A

**FEMALE THREADED OFFTAKE CONNECTOR WITH RING**

Connects thin wall dripline to male threaded outlet

Product code	Catalog numbers	Size	Bag quantity	Box quantity	Box weight	Package type
016 OFY F03 000 Y16	802.04.22010	16 mm x 1/2"	50	700	7,4 kg	A

**FEMALE THREADED OFFTAKE CONNECTOR WITH NUT**

Connects thin/medium wall dripline to male threaded outlet

Product code	Catalog numbers	Size	Bag quantity	Box quantity	Box weight	Package type
016 OFS F03 000 S16	802.04.20010	16 mm x 1/2"	50	600	7,3 kg	A

**COMPRESSION OFFTAKE CONNECTOR WITH NUT**

Product code	Catalog numbers	Size	Bag quantity	Box quantity	Box weight	Package type
016 OFS D08 N06 S16	802.04.21010	8 x 16 mm	50	600	8,4 kg	A



**LAY FLAY SPIRAL OFFTAKE CONNECTOR WITH RING**

Connects thin wall dripline to lay flat main pipe

Product code	Catalog numbers	Size	Bag quantity	Box quantity	Box weight	Package type
016 OFL P16 000 Y16	802.04.10010	16 x 16 mm	50	450	6,9 kg	A



**LAY FLAY SPIRAL OFFTAKE CONNECTOR WITH NUT**

Connects thin/medium wall dripline to lay flat main pipe

Product code	Catalog numbers	Size	Bag quantity	Box quantity	Box weight	Package type
016 OFL P16 000 S16	802.04.11010	16 x 16 mm	50	300	5,4 kg	A



**LAY FLAT OFFTAKE CONNECTOR WITH MALE NUT**

Obtains male thread from lay flat main pipe

Product code	Catalog numbers	Size	Bag quantity	Box quantity	Box weight	Package type
013 OFX P13 000 M04	802.04.12010	13 mm x 3/4"	50	450	6,2 kg	A
018 OFX P18 000 M04	802.04.12020	18 mm x 3/4"	50	450	6,2 kg	A



**LAY FLAT SPIRAL OFFTAKE CONNECTOR WITH MALE NUT**

Obtains male thread from lay flat main pipe

Product code	Catalog numbers	Size	Bag quantity	Box quantity	Box weight	Package type
016 OFU P16 000 M04	802.04.13010	16 mm x 3/4"	50	450	5,9 kg	A



**LAY FLAT OFFTAKE CONNECTOR WITH FEMALE NUT**

Obtains female thread from lay flat main pipe

Product code	Catalog numbers	Size	Bag quantity	Box quantity	Box weight	Package type
013 OFX P13 000 F03	802.04.14010	13 mm x 1/2"	50	400	6,6 kg	A
013 OFX P13 000 F04	802.04.14020	13 mm x 3/4"	50	350	7,2 kg	A
018 OFX P18 000 F03	802.04.14030	18 mm x 1/2"	50	400	6,6 kg	A
018 OFX P18 000 F04	802.04.14040	18 mm x 3/4"	50	350	7,2 kg	A



**LAY FLAT SPIRAL OFFTAKE CONNECTOR WITH FEMALE NUT**

Obtains female thread from lay flat main pipe

Product code	Catalog numbers	Size	Bag quantity	Box quantity	Box weight	Package type
016 OFU P16 000 F03	802.04.15010	16 mm x 1/2"	50	400	6,3 kg	A
016 OFU P16 000 F04	802.04.15020	16 mm x 3/4"	50	350	6,9 kg	A



LAY FLAT OFFTAKE MALE NUT

Obtains male thread from lay flat main pipe when connected with offtake bolt

Product code	Catalog numbers	Size	Bag quantity	Box quantity	Box weight	Package type
012 ALS F03 000 M04	802.04.16010	1/2" x 3/4"	50	600	5,3 kg	A



LAY FLAT OFFTAKE FEMALE NUT

Obtains female thread from lay flat main pipe when connected with offtake bolt

Product code	Catalog numbers	Size	Bag quantity	Box quantity	Box weight	Package type
012 ALS F03 000 F03	802.04.17010	1/2" x 1/2"	50	600	6,9 kg	A
012 ALS F03 000 F04	802.04.17020	1/2" x 3/4"	50	450	6,8 kg	A



LAY FLAT OFFTAKE BOLT

Obtains male/female thread from lay flat main pipe when connected with offtake nut

Product code	Catalog numbers	Size	Bag quantity	Box quantity	Box weight	Package type
013 X13 P13 000 M03	802.04.18010	13 mm x 1/2"	50	1500	7 kg	A
018 X18 P18 000 M03	802.04.18020	18 mm x 1/2"	50	1500	6,9 kg	A



LAY FLAT SPIRAL OFFTAKE BOLT

Obtains male/female thread from lay flat main pipe when connected with offtake nut

Product code	Catalog numbers	Size	Bag quantity	Box quantity	Box weight	Package type
016 U16 P16 000 M03	802.04.19010	16 mm x 1/2"	50	1500	6 kg	A



OFFTAKE MINI VALVE WITH RING

Used to turn off or regulate the water flow from sealing rubber inserted outlet to thin wall dripline

Product code	Catalog numbers	Size	Bag quantity	Box quantity	Box weight	Package type
016 VOY C14 000 Y16	802.07.01010	14 x 16 mm	50	250	6,4 kg	A
016 VOY C16 000 Y16	802.07.01020	16 x 16 mm	50	250	6,6 kg	A
022 VOY C20 000 Y22	802.07.01030	20 x 22 mm	25	150	6,7 kg	A
025 VOY C25 000 Y25	802.07.01040	25 x 25 mm	25	125	7,4 kg	A



OFFTAKE MINI VALVE WITH NUT

Used to turn off or regulate the water flow from sealing rubber inserted outlet to thin/medium wall dripline

Product code	Catalog numbers	Size	Bag quantity	Box quantity	Box weight	Package type
016 VOS C14 000 S16	802.07.02010	14 x 16 mm	50	250	6,9 kg	A
016 VOS C16 000 S16	802.07.02020	16 x 16 mm	50	250	7 kg	A
020 VOS C20 000 S20	802.07.02030	20 x 20 mm	25	150	6,5 kg	A
022 VOS C20 000 S22	802.07.02040	20 x 22 mm	25	150	6,7 kg	A
025 VOS C25 000 S25	802.07.02050	25 x 25 mm	25	125	7,9 kg	A



BARBED OFFTAKE MINI VALVE

Used to turn off or regulate the water flow from sealing rubber inserted outlet to thick wall dripline

Product code	Catalog numbers	Size	Bag quantity	Box quantity	Box weight	Package type
016 VOK C16 000 K16	802.07.03010	16 x 16 mm	50	250	5,7 kg	A
020 VOK C20 000 K20	802.07.03020	20 x 20 mm	25	150	5,7 kg	A



SELF-SEAL BARBED OFFTAKE MINI VALVE

Used to turn off or regulate the water flow from outlet w/o sealing rubber to thick wall dripline

Product code	Catalog numbers	Size	Bag quantity	Box quantity	Box weight	Package type
016 VCK C16 D17 K16	802.07.04010	16 x 16 mm	50	250	6,3 kg	A



**BARBED MINI VALVE WITH NUT**

Used to turn off or regulate the water flow from thick walled dripline to thin/medium wall dripline

Product code	Catalog numbers	Size	Bag quantity	Box quantity	Box weight	Package type
016 VSK K16 000 S16	802.07.05010	16 x 16 mm	50	250	6,2 kg	A
020 VSK K20 000 S20	802.07.05020	20 x 20 mm	25	150	6,4 kg	A
022 VSK K20 000 S22	802.07.05030	20 x 22 mm	25	150	6,6 kg	A
025 VSK K25 000 S25	802.07.05040	25 x 25 mm	25	100	6,6 kg	A



**BARBED MINI VALVE**

Used to turn off or regulate the water flow between thick wall driplines

Product code	Catalog numbers	Size	Bag quantity	Box quantity	Box weight	Package type
016 VKK K16 000 K16	802.07.06010	16 x 16 mm	50	250	5,4 kg	A
020 VKK K20 000 K20	802.07.06020	20 x 20 mm	25	150	5,5 kg	A



**MALE THREADED OFFTAKE MINI VALVE WITH NUT**

Used to turn off or regulate the water flow from female threaded outlet to thin/medium wall dripline

Product code	Catalog numbers	Size	Bag quantity	Box quantity	Box weight	Package type
016 VSM M03 000 S16	802.07.07010	16 mm x 1/2"	50	250	7,7 kg	A
020 VSM M04 000 S20	802.07.07020	20 mm x 3/4"	25	150	7,2 kg	A
022 VSM M04 000 S22	802.07.07030	22 mm x 3/4"	25	150	7,1 kg	A

**FEMALE THREADED OFFTAKE MINI VALVE WITH RING**

Used to turn off or regulate the water flow from male threaded outlet to thin wall dripline

Product code	Catalog numbers	Size	Bag quantity	Box quantity	Box weight	Package type
016 VYF F03 000 Y16	802.07.22010	16 mm x 1/2"	50	250	6,7 kg	A

**FEMALE THREADED OFFTAKE MINI VALVE WITH NUT**

Used to turn off or regulate the water flow from male threaded outlet to thin/medium wall dripline

Product code	Catalog numbers	Size	Bag quantity	Box quantity	Box weight	Package type
016 VSF F03 000 S16	802.07.20010	16 mm x 1/2"	50	250	7,3 kg	A



**COMPRESSION OFFTAKE MINI VALVE WITH NUT**

Product code	Catalog numbers	Size	Bag quantity	Box quantity	Box weight	Package type
016 VOS D08 N06 S16	802.07.21010	8 x 16 mm	50	250	7,7 kg	A



**LAY FLAT OFFTAKE MINI VALVE WITH NUT**

Used to turn off or regulate the water flow from lay flat main pipe to thin/medium wall dripline

Product code	Catalog numbers	Size	Bag quantity	Box quantity	Box weight	Package type
016 VOL X13 000 S16	802.07.08010	13 x 16 mm	50	150	7,1 kg	A
016 VOL X18 000 S16	802.07.08020	18 x 16 mm	50	150	7,1 kg	A
020 VOL X13 000 S20	802.07.08030	13 x 20 mm	25	100	6,9 kg	A
020 VOL X18 000 S20	802.07.08040	18 x 20 mm	25	100	6,9 kg	A
022 VOL X13 000 S22	802.07.08050	13 x 22 mm	25	100	6,9 kg	A
022 VOL X18 000 S22	802.07.08060	18 x 22 mm	25	100	6,9 kg	A



**LAY FLAT SPIRAL OFFTAKE MINI VALVE WITH NUT**

Used to turn off or regulate the water flow from lay flat main pipe to thin/medium wall dripline

Product code	Catalog numbers	Size	Bag quantity	Box quantity	Box weight	Package type
016 VOL U16 000 S16	802.07.09010	16 x 16 mm	50	150	7,1 kg	A
020 VOL U16 000 S20	802.07.09020	16 x 20 mm	25	100	6,9 kg	A
022 VOL U16 000 S22	802.07.09030	16 x 22 mm	25	100	6,9 kg	A

**LAY FLAT OFFTAKE MINI VALVE WITH RING**

Used to turn off or regulate the water flow from lay flat main pipe to thin wall dripline

Product code	Catalog numbers	Size	Bag quantity	Box quantity	Box weight	Package type
016 VOP X13 000 Y16	802.07.26010	13 x 16 mm	50	200	6,5 kg	A
016 VOP X18 000 Y16	802.07.26020	18 x 16 mm	50	200	6,5 kg	A

LAY FLAT SPIRAL OFFTAKE MINI VALVE WITH RING

Used to turn off or regulate the water flow from lay flat main pipe to thin wall dripline

Product code	Catalog numbers	Size	Bag quantity	Box quantity	Box weight	Package type
016 VOP U16 000 Y16	802.07.27010	16 x 16 mm	50	200	6,4 kg	A

LAY FLAT OFFTAKE MINI VALVE WITH NUT (ECO)

Used to turn off or regulate the water flow from lay flat main pipe to thin/medium wall dripline

Product code	Catalog numbers	Size	Bag quantity	Box quantity	Box weight	Package type
016 VOP X13 000 S16	802.07.24010	13 x 16 mm	50	200	6,8 kg	A
016 VOP X18 000 S16	802.07.24020	18 x 16 mm	50	200	6,8 kg	A

LAY FLAT SPIRAL OFFTAKE MINI VALVE WITH NUT (ECO)

Used to turn off or regulate the water flow from lay flat main pipe to thin/medium wall dripline

Product code	Catalog numbers	Size	Bag quantity	Box quantity	Box weight	Package type
016 VOP U16 000 S16	802.07.25010	16 x 16 mm	50	200	6,7 kg	A



MALE THREADED MINI VALVE

Provides a turn off or water regulation with a combination of male threads

Product code	Catalog numbers	Size	Bag quantity	Box quantity	Box weight	Package type
016 VMM M03 000 M03	802.07.10010	16 mm x 1/2"	50	250	6,5 kg	A
016 VMM M04 000 M04	802.07.10020	16 mm x 3/4"	25	200	6,1 kg	A
020 VMM M04 000 M04	802.07.10030	20 mm x 3/4"	25	150	6,7 kg	A



MALE THREADED LOCK TYPE OFFTAKE MINI VALVE

Used to turn off or regulate the water flow from female threaded outlets to medium/thick wall driplines

Product code	Catalog numbers	Size	Bag quantity	Box quantity	Box weight	Package type
016 VMG M03 000 G16	802.07.11010	16 mm x 1/2"	25	200	7,4 kg	A
016 VMG M04 000 G16	802.07.11020	16 mm x 3/4"	25	175	7,4 kg	A
020 VMG M04 000 G20	802.07.11030	20 mm x 3/4"	25	125	7,1 kg	A



LOCK TYPE MINI VALVE

Used to turn off or regulate the water flow between medium/thick wall driplines

Product code	Catalog numbers	Size	Bag quantity	Box quantity	Box weight	Package type
LOCK TYPE MINI VALVE	802.07.11010	16 mm x 1/2"	25	200	7,4 kg	A
016 VMG M04 000 G16	802.07.11020	16 mm x 3/4"	25	175	7,4 kg	A

LOCK TYPE REDUCTION MINI VALVE

Used to turn off or regulate the water flow between medium/thick wall driplines of different sizes

Product code	Catalog numbers	Size	Bag quantity	Box quantity	Box weight	Package type
020 VGG G20 000 G16	802.07.13010	20 x 16 mm	25	100	6,4 kg	A



TEE OFFTAKE MINI VALVE WITH RING

Used to turn off or regulate 2-way water flow from sealing rubber inserted outlet to thin wall driplines

Product code	Catalog numbers	Size	Bag quantity	Box quantity	Box weight	Package type
016 VTY Y16 C16 Y16	802.07.14010	16 x 16 mm	25	125	6,1 kg	A
022 VTY Y22 C20 Y22	802.07.14020	20 x 22 mm	25	100	5,9 kg	A



TEE OFFTAKE MINI VALVE WITH NUT

Used to turn off or regulate 2-way water flow from sealing rubber inserted outlet to thin/medium wall driplines

Product code	Catalog numbers	Size	Bag quantity	Box quantity	Box weight	Package type
016 VTS S16 C16 S16	802.07.15010	16 x 16 mm	25	125	6,6 kg	A
022 VTS S22 C20 S22	802.07.15020	20 x 22 mm	25	100	6,1 kg	A



TEE MINI VALVE WITH RING

Used to turn off or regulate 2-way water flow between thin wall driplines

Product code	Catalog numbers	Size	Bag quantity	Box quantity	Box weight	Package type
016 VTY Y16 Y16 Y16	802.07.16010	16 x 16 mm	25	125	6,3 kg	A



TEE MINI VALVE WITH NUT

Used to turn off or regulate 2-way water flow between thin/medium walled driplines

Product code	Catalog numbers	Size	Bag quantity	Box quantity	Box weight	Package type
016 VTS S16 S16 S16	802.07.17010	16 x 16 mm	25	125	7 kg	A



MALE THREADED TEE OFFTAKE MINI VALVE WITH RING

Used to turn off or regulate 2-way water flow from female threaded outlet to thin wall driplines

Product code	Catalog numbers	Size	Bag quantity	Box quantity	Box weight	Package type
016 VTY Y16 M03 Y16	802.07.18010	16 mm x 1/2"	25	125	6,2 kg	A
022 VTY Y22 M03 Y22	802.07.18020	22 mm x 1/2"	25	100	6 kg	A



MALE THREADED TEE OFFTAKE MINI VALVE WITH NUT

Used to turn off or regulate 2-way water flow from female threaded outlet to thin/medium wall driplines

Product code	Catalog numbers	Size	Bag quantity	Box quantity	Box weight	Package type
016 VTS S16 M03 S16	802.07.19010	16 mm x 1/2"	25	125	6,6 kg	A
022 VTS S22 M03 S22	802.07.19020	22 mm x 1/2"	25	100	6,1 kg	A



COUPLING WITH RING

Joins thin wall driplines

Product code	Catalog numbers	Size	Bag quantity	Box quantity	Box weight	Package type
016 EKY Y16 000 Y16	802.10.01010	16 x 16 mm	50	800	8 kg	A
020 EKY Y20 000 Y20	802.10.01020	20 x 20 mm	50	550	6,9 kg	A
022 EKY Y22 000 Y22	802.10.01030	22 x 22 mm	50	350	6,4 kg	A
025 EKY Y25 000 Y25	802.10.01040	25 x 25 mm	50	300	6,8 kg	A



COUPLING WITH NUT

Joins thin/medium wall driplines

Product code	Catalog numbers	Size	Bag quantity	Box quantity	Box weight	Package type
016 EKS S16 000 S16	802.10.02010	16 x 16 mm	50	500	7,8 kg	A
020 EKS S20 000 S20	802.10.02020	20 x 20 mm	50	350	6,4 kg	A
022 EKS S22 000 S22	802.10.02030	22 x 22 mm	50	250	5,2 kg	A
025 EKS S25 000 S25	802.10.02040	25 x 25 mm	50	200	6,5 kg	A



BARBED COUPLING

Joins thick walled driplines

Product code	Catalog numbers	Size	Bag quantity	Box quantity	Box weight	Package type
016 EKK K16 000 K16	802.10.03010	16 x 16 mm	50	1200	4,6 kg	A
020 EKK K20 000 K20	802.10.03020	20 x 20 mm	50	800	4,2 kg	A



BARBED COUPLING WITH RING

Joins thick wall dripline to thin walled dripline

Product code	Catalog numbers	Size	Bag quantity	Box quantity	Box weight	Package type
016 EKA Y16 000 K16	802.10.04010	16 x 16 mm	50	1000	6,6 kg	A
020 EKA Y20 000 K20	802.10.04020	20 x 20 mm	50	700	6,7 kg	A
022 EKA Y22 000 K20	802.10.04030	22 x 20 mm	50	400	4,9 kg	A
025 EKA Y25 000 K25	802.10.04040	25 x 25 mm	50	300	5 kg	A



**BARBED COUPLING WITH NUT**

Joins thick walled dripline to thin/medium wall dripline

Product code	Catalog numbers	Size	Bag quantity	Box quantity	Box weight	Package type
016 EKA S16 000 K16	802.10.05010	16 x 16 mm	50	600	6,1 kg	A
020 EKA S20 000 K20	802.10.05020	20 x 20 mm	50	400	5,1 kg	A
022 EKA S22 000 K20	802.10.05030	22 x 20 mm	50	350	4,8 kg	A
025 EKA S25 000 K25	802.10.05040	25 x 25 mm	50	200	4,7 kg	A



**MALE THREADED COUPLING**

Provides a connection with a combination of male threads

Product code	Catalog numbers	Size	Bag quantity	Box quantity	Box weight	Package type
016 EMM M03 000 M03	802.10.06010	½" x ½"	50	800	6,5 kg	A
020 EMM M04 000 M04	802.10.06020	¾" x ¾"	50	500	5,9 kg	A



**LOCK TYPE COUPLING**

Joins medium/thick wall driplines

Product code	Catalog numbers	Size	Bag quantity	Box quantity	Box weight	Package type
016 EKG G16 000 G16	802.10.07010	16 x 16 mm	50	250	7,7 kg	A
020 EKG G20 000 G20	802.10.07020	20 x 20 mm	25	200	9,1 kg	A



**LOCK TYPE REDUCTION COUPLING**

Joins medium/thick wall driplines of different sizes

Product code	Catalog numbers	Size	Bag quantity	Box quantity	Box weight	Package type
020 EKG G20 000 G16	802.10.08010	20 x 16 mm	25	200	8,8 kg	A



**BARBED ELBOW COUPLING**

Creates a corner in thick walled driplines

Product code	Catalog numbers	Size	Bag quantity	Box quantity	Box weight	Package type
020 EKG G20 000 G16	802.10.09010	16 x 16 mm	50	850	4,5 kg	A
020 EKG G20 000 G16	802.10.09020	20 x 20 mm	50	500	3,6 kg	A



**MALE THREADED BARBED ELBOW COUPLING**

Provides a bend with male thread in thick wall driplines

Product code	Catalog numbers	Size	Bag quantity	Box quantity	Box weight	Package type
016 DMK M03 000 K16	802.10.10010	16 mm x ½"	50	550	4,7 kg	A
016 DMK M04 000 K16	802.10.10020	16 mm x ¾"	25	400	5,4 kg	A
020 DMK M03 000 K20	802.10.10030	20 mm x ½"	25	400	4 kg	A
020 DMK M04 000 K20	802.10.10040	20 mm x ¾"	25	350	4,8 kg	A



**BARBED TEE COUPLING**

Provides a branch in thick wall driplines

Product code	Catalog numbers	Size	Bag quantity	Box quantity	Box weight	Package type
016 TEK K16 K16 K16	802.10.11010	16 x 16 mm	50	500	3,9 kg	A
020 TEK K20 K20 K20	802.10.11020	20 x 20 mm	50	350	3,7 kg	A



**BARBED REDUCTION TEE COUPLING**

Provides a branch in thick wall driplines of different sizes

Product code	Catalog numbers	Size	Bag quantity	Box quantity	Box weight	Package type
020 TEK K20 K16 K20	802.10.12010	20 x 16 mm	50	350	3,5 kg	A



**MALE THREADED ELBOW**

Provides a bend with a combination of male threads

Product code	Catalog numbers	Size	Bag quantity	Box quantity	Box weight	Package type
020 DMM M04 000 M03	802.10.13005	¾" x ½"	-	400	7 kg	A
020 DMM M04 000 M04	802.10.13010	¾" x ¾"	-	350	6,9 kg	A



**MALE THREADED TEE**

Provides a branch with a combination of male threads

Product code	Catalog numbers	Size	Bag quantity	Box quantity	Box weight	Package type
020 TMM M04 M04 M04	802.10.14010	¾" x ¾"	-	300	6,7 kg	A



**LOCK TYPE ELBOW**

Creates a corner in medium/thick wall driplines

Product code	Catalog numbers	Size	Bag quantity	Box quantity	Box weight	Package type
016 DGG G16 000 G16	802.10.15010	16 x 16 mm	25	150	7,6 kg	A
020 DGG G20 000 G20	802.10.15020	20 x 20 mm	25	150	7,8 kg	A



**LOCK TYPE REDUCTION ELBOW**

Creates a corner in medium/thick wall driplines of different sizes

Product code	Catalog numbers	Size	Bag quantity	Box quantity	Box weight	Package type
020 DGG G20 000 G16	802.10.16010	20 x 16 mm	25	150	7,8 kg	A



**LOCK TYPE TEE**

Provides a branch in medium/thick wall driplines

Product code	Catalog numbers	Size	Bag quantity	Box quantity	Box weight	Package type
016 TGG G16 G16 G16	802.10.17010	16 x 16 mm	25	100	6,6 kg	A
020 TGG G20 G20 G20	802.10.17020	20 x 20 mm	25	100	6,9 kg	A



**LOCK TYPE REDUCTION TEE**

Provides a branch in medium/thick wall driplines of different sizes

Product code	Catalog numbers	Size	Bag quantity	Box quantity	Box weight	Package type
020 TGG G20 G16 G20	802.10.18010	20 x 16 mm	25	100	6,9 kg	A



**MALE THREADED LOCK TYPE ELBOW**

Provides a bend with male thread in medium/thick wall driplines

Product code	Catalog numbers	Size	Bag quantity	Box quantity	Box weight	Package type
016 DMG M03 000 G16	802.10.19010	16 mm x 1/2"	25	150	5 kg	A
016 DMG M04 000 G16	802.10.19020	16 mm x 3/4"	25	150	5,5 kg	A
020 DMG M03 000 G20	802.10.19030	20 mm x 1/2"	25	150	5,1 kg	A
020 DMG M04 000 G20	802.10.19040	20 mm x 3/4"	25	150	5,6 kg	A



**MALE THREADED LOCK TYPE TEE**

Provides a 2-way branch with male thread in medium/thick wall driplines

Product code	Catalog numbers	Size	Bag quantity	Box quantity	Box weight	Package type
016 TMG G16 M04 G16	802.10.20010	16 mm x 3/4"	25	100	5,2 kg	A
020 TMG G20 M04 G20	802.10.20020	20 mm x 3/4"	25	100	5,4 kg	A





END PLUG WITH RING

Closes the end of thin wall dripline

Product code	Catalog numbers	Size	Bag quantity	Box quantity	Box weight	Package type
016 KTY Y16 000 000	802.13.01010	16 mm	50	1200	7,2 kg	A
020 KTY Y20 000 000	802.13.01020	20 mm	50	600	4,7 kg	A
022 KTY Y22 000 000	802.13.01030	22 mm	50	600	6,7 kg	A
025 KTY Y25 000 000	802.13.01040	25 mm	50	400	6 kg	A



END PLUG WITH NUT

Closes the end of thin/medium wall dripline

Product code	Catalog numbers	Size	Bag quantity	Box quantity	Box weight	Package type
016 KTS S16 000 000	802.13.02010	16 mm	50	600	6,8 kg	A
022 KTS S22 000 000	802.13.02030	22 mm	50	350	5,7 kg	A
025 KTS S25 000 000	802.13.02040	25 mm	50	200	4,9 kg	A



BARBED END PLUG

Closes the end of thick wall dripline

Product code	Catalog numbers	Size	Bag quantity	Box quantity	Box weight	Package type
016 KTK K16 000 000	802.13.03010	16 mm	50	900	4,8 kg	A
020 KTK K20 000 000	802.13.03020	20 mm	50	650	4,4 kg	A



BARBED END PLUG WITH FLAT PRESS

Closes the end of thick wall dripline

Product code	Catalog numbers	Size	Bag quantity	Box quantity	Box weight	Package type
016 KTF K16 000 000	802.13.04010	16 mm	100	1800	5,5 kg	A



GLASSES TYPE END PLUG

Closes the end of thick wall dripline with a fold

Product code	Catalog numbers	Size	Bag quantity	Box quantity	Box weight	Package type
016 KTG 016 000 016	802.13.05010	16 mm	100	1600	4,5 kg	A
020 KTG 020 000 020	802.13.05020	20 mm	50	800	4 kg	A



LOCK TYPE END PLUG

Closes the end of medium/thick wall dripline

Product code	Catalog numbers	Size	Bag quantity	Box quantity	Box weight	Package type
016 KGG G16 000 000	802.13.06010	16 mm	50	500	9,9 kg	A
020 KGG G20 000 000	802.13.06020	20 mm	50	400	11,2 kg	A



CONICAL OFFTAKE CLOSURE RUBBER

Used for hole closure in pe main pipes

Product code	Catalog numbers	Size	Bag quantity	Box quantity	Box weight	Package type
016 OFC D19 000 000	802.13.07010	16 mm	50	1800	8,3 kg	A



OFFTAKE CLOSURE PLUG

Closes sealing rubber inserted outlet

Product code	Catalog numbers	Size	Bag quantity	Box quantity	Box weight	Package type
016 OFP C16 000 000	802.13.08010	16 mm	100	1800	6,2 kg	A
020 OFP C20 000 000	802.13.08020	20 mm	50	1000	6,5 kg	A
025 OFP C25 000 000	802.13.08030	25 mm	50	900	6,3 kg	A



FEMALE THREADED LAY FLAT OFFTAKE CLOSURE PLUG

Closes offtake bolt inserted outlet in lay flat main pipe

Product code	Catalog numbers	Size	Bag quantity	Box quantity	Box weight	Package type
012 KDF F03 000 000	802.13.09010	½"	50	600	6 kg	A



MALE THREADED END PLUG

Closes the end of female threaded outlet

Product code	Catalog numbers	Size	Bag quantity	Box quantity	Box weight	Package type
016 KTM M03 000 000	802.13.10010	½"	-	1100	9,7 kg	A
020 KTM M04 000 000	802.13.10020	¾"	-	900	7,6 kg	A
025 KTM M10 000 000	802.13.10030	1"	-	600	6,7 kg	A



OVAL PIPE DRIPPER CLOSURE PLUG

Used for dripper closure in oval type driplines

Product code	Catalog numbers	Size	Bag quantity	Box quantity	Box weight	Package type
016 KTD 024 000 000	802.13.11010	16 mm	500	6000	4,9 kg	C



GROOVED SEALING RUBBER

Used to connect offtake connector to pe main pipe

Product code	Catalog numbers	Size	Bag quantity	Box quantity	Box weight	Package type
016 COC D19 000 C16	802.16.01010	16 mm	50	2000	7,3 kg	A
020 COC D22 000 C20	802.16.01020	20 mm	50	1600	7,1 kg	A



STRAIGHT SEALING RUBBER

Used to connect offtake connector to pe main pipe

Product code	Catalog numbers	Size	Bag quantity	Box quantity	Box weight	Package type
016 COS D14 000 C14	802.16.02010	14 mm	50	3000	5,6 kg	A
016 COS D19 000 C16	802.16.02020	16 mm	50	2250	7,1 kg	A
020 COS D22 000 C20	802.16.02030	20 mm	50	1400	6,4 kg	A
025 COS D26 000 C25	802.16.02040	25 mm	50	1000	5,8 kg	A



CONICAL SEALING RUBBER

Used to connect offtake connector to pe main pipe

Product code	Catalog numbers	Size	Bag quantity	Box quantity	Box weight	Package type
016 COT D16 000 C15	802.16.03010	15 mm	50	2250	5,6 kg	A
016 COT D19 000 C16	802.16.03020	16 mm	50	2250	6,4 kg	A



**FEMALE THREADED 2-WAY DISTRIBUTOR WITH RING**

Provides a 2-way branch with female thread in thin wall driplines

Product code	Catalog numbers	Size	Bag quantity	Box quantity	Box weight	Package type
016 Q2Y F04 002 Y16	802.19.05010	16 mm x 3/4"	25	250	5,6 kg	A

**FEMALE THREADED 6-WAY DISTRIBUTOR WITH RING**

Provides a 6-way branch with female thread in thin wall driplines

Product code	Catalog numbers	Size	Bag quantity	Box quantity	Box weight	Package type
016 Q6Y F10 006 Y16	802.19.07010	16 mm x 1"	25	50	0 kg	A



**FEMALE THREADED 2-WAY DISTRIBUTOR WITH NUT**

Provides a 2-way branch with female thread in thin/medium wall driplines

Product code	Catalog numbers	Size	Bag quantity	Box quantity	Box weight	Package type
016 Q2S F04 002 S16	802.19.01010	16 mm x 3/4"	25	175	5,3 kg	A
016 Q2S F10 002 S16	802.19.01020	16 mm x 1"	25	150	4,9 kg	A



**FEMALE THREADED 4-WAY DISTRIBUTOR WITH NUT**

Provides a 4-way branch with female thread in thin/medium wall driplines

Product code	Catalog numbers	Size	Bag quantity	Box quantity	Box weight	Package type
016 Q4S F04 004 S16	802.19.02010	16 mm x 3/4"	25	75	3,7 kg	A
016 Q4S F10 004 S16	802.19.02020	16 mm x 1"	25	75	3,8 kg	A
020 Q4S F10 004 S20	802.19.02030	20 mm x 1"	25	75		A

**FEMALE THREADED 6-WAY DISTRIBUTOR WITH NUT**

Provides a 6-way branch with female thread in thin/medium wall driplines

Product code	Catalog numbers	Size	Bag quantity	Box quantity	Box weight	Package type
016 Q6S F10 006 S16	802.19.08010	16 mm x 1"	25	50	0 kg	A



**FEMALE THREADED 2-WAY BARBED DISTRIBUTOR**

Provides a 2-way branch with female thread in thick wall driplines

Product code	Catalog numbers	Size	Bag quantity	Box quantity	Box weight	Package type
016 Q2K F10 002 K16	802.19.03010	16 mm x 1"	25	225	4,5 kg	A



**FEMALE THREADED 4-WAY BARBED DISTRIBUTOR**

Provides a 4-way branch with female thread in thick walled driplines

Product code	Catalog numbers	Size	Bag quantity	Box quantity	Box weight	Package type
016 Q4K F10 004 K16	802.19.04010	16 mm x 1"	25	175	4 kg	A

**MALE THREADED 2-WAY DISTRIBUTOR WITH RING**

Provides a 2-way branch with male thread in thin wall driplines

Product code	Catalog numbers	Size	Bag quantity	Box quantity	Box weight	Package type
016 Q2Y M03 002 Y16	802.19.09010	16 mm x 1/2"	25	300	0 kg	A
022 Q2Y M03 002 Y22	802.19.09020	22 mm x 1/2"	25	300	0 kg	A

**MALE THREADED 2-WAY DISTRIBUTOR WITH NUT**

Provides a 2-way branch with male thread in thin/medium wall driplines

Product code	Catalog numbers	Size	Bag quantity	Box quantity	Box weight	Package type
016 Q2S M03 002 S16	802.19.10010	16 mm x 1/2"	25	300	0 kg	A
022 Q2S M03 002 S22	802.19.10020	22 mm x 1/2"	25	300	0 kg	A

**2-WAY DISTRIBUTOR WITH RING**

Provides a 2-way branch from sealing rubber inserted outlet to thin wall driplines

Product code	Catalog numbers	Size	Bag quantity	Box quantity	Box weight	Package type
016 Q2Y C16 002 Y16	802.19.11010	16 x 16 mm	25	300	0 kg	A
022 Q2Y C20 002 Y22	802.19.11020	20 x 22 mm	25	300	0 kg	A

**2-WAY DISTRIBUTOR WITH NUT**

Provides a 2-way branch from sealing rubber inserted outlet to thin/medium wall driplines

Product code	Catalog numbers	Size	Bag quantity	Box quantity	Box weight	Package type
016 Q2S C16 002 S16	802.19.12010	16 x 16 mm	25	300	0 kg	A
022 Q2S C20 002 S22	802.19.12020	20 x 22 mm	25	300	0 kg	A



**SAND FILTER**

Provides water purification from sealing rubber inserted outlet

Product code	Catalog numbers	Size	Box quantity	Box weight	Package type
020 MFL C20 030 000	802.22.01010	20 mm x 300 µm	100	5,1 kg	A
020 MFL C20 050 000	802.22.01020	20 mm x 500 µm	100	5,1 kg	A



**MALE THREADED SAND FILTER**

Provides water purification from female threaded outlet

Product code	Catalog numbers	Size	Box quantity	Box weight	Package type
020 MFL M04 030 000	802.22.02010	¾" x 300 µm	100	4,9 kg	A
020 MFL M04 050 000	802.22.02020	¾" x 500 µm	100	4,9 kg	A



**PIPE HANGER**

Used to hang medium/thick wall driplines

Product code	Catalog numbers	Size	Bag quantity	Box quantity	Box weight	Package type
016 WRO 000 000 000	802.22.03010	16 mm	100	2200	5,6 kg	A
020 WRO 000 000 000	802.22.03020	20 mm	100	2000	5,7 kg	A



**PIPE ANCHOR**

Used to fix medium/thick wall driplines

Product code	Catalog numbers	Size	Box quantity	Box weight	Package type
150 ANC 000 000 000	802.22.04010	150 mm	275	4,3 kg	A
225 ANC 000 000 000	802.22.04020	225 mm	225	4,9 kg	A
300 ANC 000 000 000	802.22.04030	300 mm	175	5 kg	A



**PIPE RATCHET CLIP**

Used on barbed fittings to ensure secure connection

Product code	Catalog numbers	Size	Bag quantity	Box quantity	Box weight	Package type
016 CLP 000 000 000	802.22.05010	16 mm	1000	4000	8 kg	A
020 CLP 000 000 000	802.22.05020	20 mm	500	3000	7,3 kg	A



**LOCKING NUT**

Screwed onto male thread to tighten locking adaptor attached medium/thick wall dripline for secure connection

Product code	Catalog numbers	Size	Bag quantity	Box quantity	Box weight	Package type
016 GSV F03 000 016	802.22.06010	16 mm x ½"	50	700	6,2 kg	A
016 GSV F04 000 016	802.22.06020	16 mm x ¾"	50	600	6,6 kg	A
020 GSV F04 000 020	802.22.06030	20 mm x ¾"	50	500	5,6 kg	A



**LOCKING ADAPTOR**

Attached into medium/thick wall dripline and tightened with locking nut for secure connection

Product code	Catalog numbers	Size	Bag quantity	Box quantity	Box weight	Package type
016 GAV G16 000 K16	802.22.07010	16 x 16 mm	100	2700	7,5 kg	A
016 GAV G20 000 K16	802.22.07020	20 x 16 mm	50	2000	8,5 kg	A
020 GAV G20 000 K20	802.22.07030	20 x 20 mm	50	1900	10 kg	A



**NUT**

Screwed onto male thread to tighten thin/medium wall dripline

Product code	Catalog numbers	Size	Bag quantity	Box quantity	Box weight	Package type
016 SSS S16 000 S16	802.22.08010	16 mm	50	1800	6,6 kg	A
020 SSS S20 000 S20	802.22.08020	20 mm	50	1300	4,6 kg	A
022 SSS S22 000 S22	802.22.08030	22 mm	50	1100	4,2 kg	A
025 SSS S25 000 S25	802.22.08040	25 mm	50	650	4 kg	A



**PIPE SUPPORTING HANGER**

Product code	Catalog numbers	Size	Bag quantity	Box quantity	Box weight	Package type
016 WRL 150 000 000	802.22.10010	16 mm x 15 cm	100	600	5,4 kg	A
020 WRL 150 000 000	802.22.10020	20 mm x 15 cm	100	500	5 kg	A

DRIPLINE PERFORATOR



Product code	Catalog numbers	Size	Box quantity	Box weight	Package type
002 DDA 000 000 000	811.04.01010	2 mm	125	3,2 kg	C
003 DDA 000 000 000	811.04.01020	3 mm	125	3,2 kg	C
004 DDA 000 000 000	811.04.01030	4 mm	125	3,2 kg	C

DRIPLINE PUNCH



Product code	Catalog numbers	Size	Box quantity	Box weight	Package type
002 DMA 000 000 000	811.04.02010	2 mm	20	2,2 kg	C
003 DMA 000 000 000	811.04.02020	3 mm	20	2,2 kg	C
004 DMA 000 000 000	811.04.02030	4 mm	20	2,2 kg	C

LAY FLAT PUNCH



Product code	Catalog numbers	Size	Box quantity	Box weight	Package type
014 LDA 000 000 000	811.04.03010	14 mm	20	3,2 kg	C
015 LDA 000 000 000	811.04.03020	15 mm	20	3,2 kg	C
016 LDA 000 000 000	811.04.03030	16 mm	20	3,2 kg	C
017 LDA 000 000 000	811.04.03040	17 mm	20	3,2 kg	C

LAY FLAT STAINLESS STEEL CLAMP



Product code	Catalog numbers	Size	Box quantity	Box weight	Package type
050 LFC 051 000 059	811.07.01010	51-59 mm	225	16 kg	A
063 LFC 063 000 072	811.07.01020	63-72 mm	175	13,4 kg	A
075 LFC 076 000 084	811.07.01030	76-84 mm	125	10 kg	A
100 LFC 101 000 110	811.07.01040	101-110 mm	100	9,3 kg	A
125 LFC 127 000 135	811.07.01050	127-135 mm	75	7,5 kg	A
150 LFC 152 000 160	811.07.01060	152-160 mm	50	5,6 kg	A

LAY FLAT OFFTAKE BOLT PUNCH



Product code	Catalog numbers	Size	Box quantity	Box weight	Package type
010 LFA 000 000 000	811.07.02008	10 mm	50	11,8 kg	C
013 LFA 000 000 000	811.07.02010	13 mm	50	13 kg	C

PIPE DRILL



Product code	Catalog numbers	Size
014 BDM D14 000 000	811.07.03005	14 mm
016 BDM D16 000 000	811.07.03010	16 mm
019 BDM D19 000 000	811.07.03020	19 mm
022 BDM D22 000 000	811.07.03030	22 mm
026 BDM D26 000 000	811.07.03040	26 mm

PIPE DRILL TOOL

Product code	Catalog numbers	Size
014 BMU D14 000 000	811.07.09005	14 mm
019 BMU D19 000 000	811.07.09010	19 mm
022 BMU D22 000 000	811.07.09020	22 mm
026 BMU D26 000 000	811.07.09030	26 mm

BARBED FITTINGS INSERTION TOOL

Product code	Catalog numbers	Size	Bag quantity	Box quantity	Box weight	Package type
016 KTA 000 000 000	811.07.06010	16 mm	5	75	2 kg	C
020 KTA 000 000 000	811.07.06020	20 mm	5	75	2,2 kg	C

THREAD SEAL TAPE

Product code	Catalog numbers	Size	Box quantity	Box weight	Package type
000 TFL 012 076 010	811.07.07010	10 m	1000	4,3 kg	A

MANUAL PUNCH

Product code	Catalog numbers	Size	Box quantity	Box weight	Package type
014 BDA D14 000 000	811.07.08005	14 mm	100	7,3 kg	C
019 BDA D19 000 000	811.07.08010	19 mm	100	7,9 kg	C
022 BDA D22 000 000	811.07.08020	22 mm	100	8 kg	C
026 BDA D26 000 000	811.07.08030	26 mm	100	8 kg	C



## ONLINE DRIPPERS

KATIF PC ONLINE DRIPPER  
ADJUSTABLE ONLINE DRIPPER



### APPLICATIONS

- Fruit crops
- Olive trees
- Greenhouses
- Row crops
- Field crops

### FEATURES

- Long life
- Easy connection
- Can be removed from the pipe easily when needed
- Wide filtration area
- Low profile, constant flow
- Wide water passage section to prevent clogging
- Self-cleaning mechanism
- Injected dripper with compact design
- Very low CV value
- UV resistant
- Resistant to chemicals and fertilizers used in agriculture

### TECHNICAL DATA

Nominal flow rate:

Black : 2,30 lph

Red : 3,75 lph

Green : 8,40 lph

Pressure compensating range:

0,5 - 3,0 bar

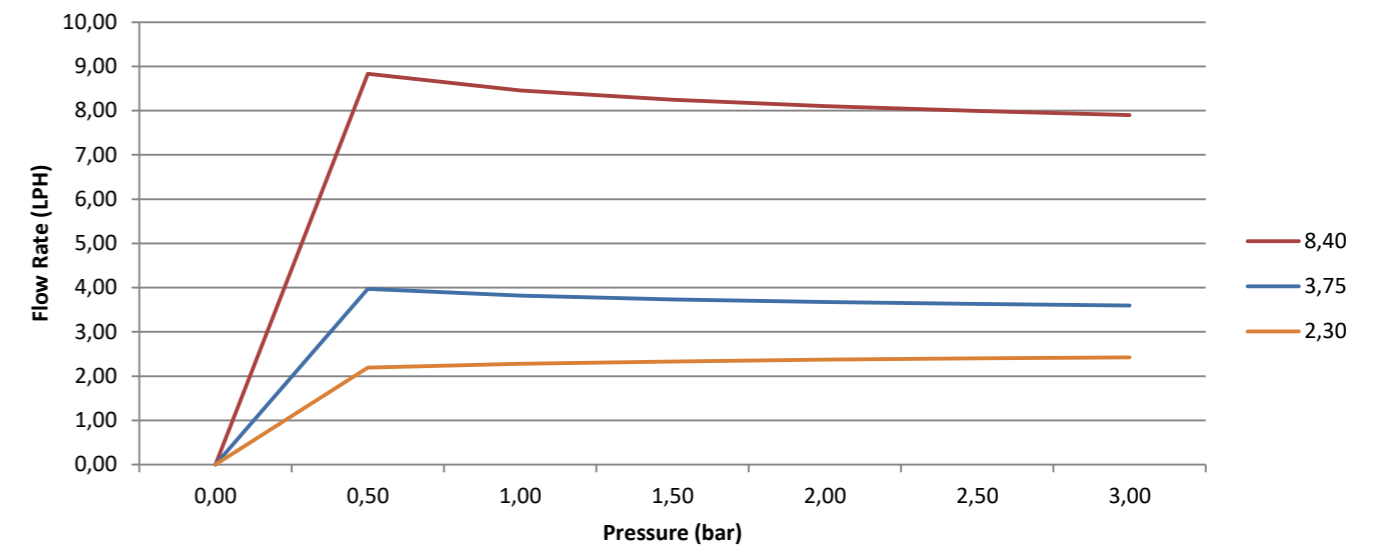
Related standards:

ISO 9261 Agricultural irrigation equipment -- Emitters and emitting pipe -- Specifications and test methods

### DRIPPER TYPES

Nominal flow rate <i>lph</i>	2,00	4,00	8,00
Average flow rate <i>lph (0,5-3,0 bar)</i>	2,30	3,75	8,40
Flow constant <i>k</i>	2,28	3,82	8,46
Flow exponent <i>x (*)</i>	0,056	-0,055	-0,062
Flow equation $Q = kP^x$	$2,28 P^{0,056}$	$3,82 P^{-0,055}$	$8,46 P^{-0,062}$
Average CV <i>% (0,5-3,0 bar)</i>	4,63	3,81	5,98
Average flow variation <i>% (0,5-3,0 bar)</i>	1,78	1,52	1,83
Required filtration <i>micron/mesh</i>	125/120	125/120	125/120

### FLOW RATE VS. PRESSURE



Nominal flow rate <i>lph</i>	Pressure <i>bar</i>						
	0,0	0,5	1,0	1,5	2,0	2,5	3,0
2,30	0,00	2,19	2,28	2,33	2,37	2,40	2,42
3,75	0,00	3,97	3,82	3,74	3,68	3,63	3,60
8,40	0,00	8,83	8,46	8,25	8,10	7,99	7,90

TECHNICAL SPECIFICATIONS

Product code	Catalog numbers	Flow rate	Box quantity	Box weight	Package type
002 ONC D04 000 000	803.04.00020	2,30 lph	10000	3,4 kg	C
004 ONC D04 000 000	803.04.00040	3,75 lph	10000	3,4 kg	C
008 ONC D04 000 000	803.04.00080	8,40 lph	10000	3,4 kg	C

MAX RECOMMENDED LATERAL LENGTH (M)

Nozzle color Flow rate lph	Dripper spacing cm	ID 13,8 mm Inlet pressure bar			ID 17,5 mm Inlet pressure bar		
		1	2	3	1	2	3
Black 2,30	33	49	91	110	86	162	197
	50	70	129	156	117	223	271
	75	95	178	216	158	299	365
	100	117	222	270	193	366	448
	125	138	263	320	225	428	523
Red 3,75	50	50	93	111	86	162	193
	75	69	129	154	114	218	260
	100	86	161	192	140	268	320
	125	102	191	228	163	312	374
Green 8,40	50	30	57	70	51	95	118
	75	41	78	97	68	128	159
	100	51	97	120	83	157	195
	125	60	114	141	96	184	229
	150	69	131	162	110	209	260



APPLICATIONS

- Fruit crops
- Olive trees
- Greenhouses
- Row crops
- Field crops

FEATURES

- Long life
- Easy connection
- Can be removed from the pipe easily when needed
- Wide filtration area
- Adjustable flow
- Wide water passage section to prevent clogging
- Injected dripper with compact design
- UV resistant
- Resistant to chemicals and fertilizers used in agriculture

TECHNICAL DATA

Flow rate:

0-70 / 0-100 lph

Related standards:

ISO 9261 Agricultural irrigation equipment -- Emitters and emitting pipe -- Specifications and test methods

Product code	Catalog numbers	Flow rate	Bag quantity	Box quantity	Box weight	Package type
070 ONA D03 000 000	803.07.00700	0-70 lph	100	4000	8,5 kg	A
100 ONA D03 000 000	803.07.01000	0-100 lph	100	2000	8 kg	A





# MICRO IRRIGATION

MICRO SPRINKLERS  
EMITTERS  
FITTINGS

**MICRO SPRINKLER HEAD**

Product code	Catalog numbers	Flow rate (2 bar)	Box quantity	Box weight	Package type
020 MCS 002 020 000	804.04.02020	20 lph	750	6,4 kg	A
030 MCS 002 030 000	804.04.02030	30 lph	750	6,4 kg	A
040 MCS 002 040 000	804.04.02040	40 lph	750	6,4 kg	A
050 MCS 002 050 000	804.04.02050	50 lph	750	6,4 kg	A
060 MCS 002 060 000	804.04.02060	60 lph	750	6,4 kg	A
070 MCS 002 070 000	804.04.02070	70 lph	750	6,4 kg	A
100 MCS 002 100 000	804.04.02100	100 lph	750	6,4 kg	A
130 MCS 002 130 000	804.04.02130	130 lph	750	6,4 kg	A
160 MCS 002 160 000	804.04.02160	160 lph	750	6,4 kg	A

**MICRO SPRINKLER WITH STAKE**

Product code	Catalog numbers	Flow rate (2 bar)	Box quantity	Box weight	Package type
020 MCI 002 020 005	804.04.01020	20 lph	100	6,2 kg	D
030 MCI 002 030 005	804.04.01030	30 lph	100	6,2 kg	D
040 MCI 002 040 005	804.04.01040	40 lph	100	6,2 kg	D
050 MCI 002 050 006	804.04.01050	50 lph	100	6,2 kg	D
060 MCI 002 060 006	804.04.01060	60 lph	100	6,2 kg	D
070 MCI 002 070 006	804.04.01070	70 lph	100	6,2 kg	D
100 MCI 002 100 007	804.04.01100	100 lph	100	6,2 kg	D
130 MCI 002 130 009	804.04.01130	130 lph	100	6,2 kg	D
160 MCI 002 160 010	804.04.01160	160 lph	100	6,2 kg	D

**MICRO SPRINKLER WITH LONG STAKE**

Product code	Catalog numbers	Flow rate (2 bar)	Box quantity	Box weight	Package type
020 MCL 002 020 006	804.04.05020	20 lph	100	12,8 kg	E
030 MCL 002 030 007	804.04.05030	30 lph	100	12,8 kg	E
040 MCL 002 040 007	804.04.05040	40 lph	100	12,8 kg	E
050 MCL 002 050 008	804.04.05050	50 lph	100	12,8 kg	E
060 MCL 002 060 008	804.04.05060	60 lph	100	12,8 kg	E
070 MCL 002 070 008	804.04.05070	70 lph	100	12,8 kg	E
100 MCL 002 100 010	804.04.05100	100 lph	100	12,8 kg	E
130 MCL 002 130 013	804.04.05130	130 lph	100	12,8 kg	E
160 MCL 002 160 015	804.04.05160	160 lph	100	12,8 kg	E

**UPSIDE-DOWN MICRO SPRINKLER**

Product code	Catalog numbers	Flow rate (2 bar)	Box quantity	Box weight	Package type
020 MCD 002 020 000	804.04.04020	20 lph			A
030 MCD 002 030 000	804.04.04030	30 lph			A
040 MCD 002 040 000	804.04.04040	40 lph			A
050 MCD 002 050 000	804.04.04050	50 lph			A
060 MCD 002 060 000	804.04.04060	60 lph			A
070 MCD 002 070 000	804.04.04070	70 lph			A
100 MCD 002 100 000	804.04.04100	100 lph			A
130 MCD 002 130 000	804.04.04130	130 lph			A
160 MCD 002 160 000	804.04.04160	160 lph			A



**STAKE DRIPPER**

Nominal flow rate: 4 lph

Product code	Catalog numbers	Size	Bag quantity	Box quantity	Box weight	Package type
004 STS 004 007 000	804.07.01010	4 x 7 mm	20	300	7,5 kg	A



**SINGLE MIST EMITTER**

Nominal flow rate: 3 lph

Product code	Catalog numbers	Size	Bag quantity	Box quantity	Box weight	Package type
003 M1E 004 000 000	804.07.02010	4 mm	100	2000	5,3 kg	C



**DOUBLE MIST EMITTER**

Nominal flow rate: 6 lph

Product code	Catalog numbers	Size	Bag quantity	Box quantity	Box weight	Package type
006 M2E D03 K07 000	804.07.03010	7 mm	100	100	6,4 kg	A



**QUAD MIST EMITTER**

Nominal flow rate: 12 lph

Product code	Catalog numbers	Size	Bag quantity	Box quantity	Box weight	Package type
012 M4E D03 K07 000	804.07.04010	7 mm	100	100	6,9 kg	A



**FIXED ANGLE SPRAY NOZZLE**

Nominal flow rate: 120 lph

Product code	Catalog numbers	Size	Bag quantity	Box quantity	Box weight	Package type
120 SPN 004 090 000	804.07.05010	4 mm x 90°	500	9000	5,2 kg	C
120 SPN 004 180 000	804.07.05020	4 mm x 180°	500	9000	5,2 kg	C
120 SPN 004 360 000	804.07.05030	4 mm x 360°	500	9000	5,2 kg	C



**FIXED ANGLE SPRAY**

Nominal flow rate: 120 lph

Product code	Catalog numbers	Size	Bag quantity	Box quantity	Box weight	Package type
120 SPS 004 090 000	804.07.06010	4 mm x 90°	100	1500	7,6 kg	A
120 SPS 004 180 000	804.07.06020	4 mm x 180°	100	1500	7,6 kg	A
120 SPS 004 360 000	804.07.06030	4 mm x 360°	100	1500	7,6 kg	A



**BARBED MICRO OFFTAKE ADAPTOR WITH SCREW END**

Provides barb-end by screwing directly into rod series blank pipe

Product code	Catalog numbers	Size	Bag quantity	Box quantity	Box weight	Package type
007 BOA 004 000 K07	804.10.01010	4 x 7 mm	500	10000	5,2 kg	C



**MICRO OFFTAKE ADAPTOR WITH SCREW END**

Provides screw end by screwing directly into rod series blank pipe

Product code	Catalog numbers	Size	Bag quantity	Box quantity	Box weight	Package type
007 SOA 004 000 007	804.10.01020	4 x 7 mm	500	10000	5,1 kg	C



**BARBED MICRO MALE ADAPTOR**

Provides male press end from micro-tube or perforated rod series blank pipe

Product code	Catalog numbers	Size	Bag quantity	Box quantity	Box weight	Package type
007 BMA D03 K07 007	804.10.01030	7 mm	500	5000	4,4 kg	C



**BARBED MICRO FEMALE ADAPTOR**

Provides female press end from micro-tube or perforated rod series blank pipe

Product code	Catalog numbers	Size	Bag quantity	Box quantity	Box weight	Package type
007 BFA D03 K07 007	804.10.01040	7 mm	500	3500	4,7 kg	C



**BARBED MICRO COUPLING**

Joins micro-tubes or provides barb-end from perforated rod series blank pipe

Product code	Catalog numbers	Size	Bag quantity	Box quantity	Box weight	Package type
007 EKK D03 K07 K07	804.10.01050	7 mm	500	5000	3,9 kg	C



**BARBED MICRO TEE COUPLING**

Provides a branch in micro-tubes

Product code	Catalog numbers	Size	Bag quantity	Box quantity	Box weight	Package type
007 TEK K07 K07 K07	804.10.01060	7 mm	100	1600	4 kg	C



**BARBED MICRO CLOSURE PLUG**

Closes perforated outlet

Product code	Catalog numbers	Size	Bag quantity	Box quantity	Box weight	Package type
007 OFP D03 K07 000	804.10.01070	7 mm	500	8000	6,1 kg	C



**MISTING CHECK VALVE**

Allows water flow in only one direction

Product code	Catalog numbers	Size
007 CVA 007 000 007	804.10.01080	7 mm



**MICRO-TUBE WEIGHT**

Keeps micro-tubes in balance

Product code	Catalog numbers	Size
007 PWE 009 030 050	804.10.01090	7 mm



**MICRO-TUBE**

Used to connect micro sprinklers, mist emitters and drippers located away from main pipe

Product code	Catalog numbers	Size	Box quantity	Box weight	Package type
007 TUB 100 000 000	804.10.01100	7 mm x 100 m	10	33 kg	A



# SPRINKLER IRRIGATION

PIPES  
FITTINGS  
ACCESSORIES

MYB SERIES – SPRINKLER IRRIGATION PIPE WITH LATCH

APPLICATIONS

- Alfalfa
- Beet
- Potato
- Carrot
- Onion
- Chickpeas
- Grassland
- Corn
- Cotton
- Cereals
- Wheat
- Sunflower
- Garlic
- Tea



FEATURES

- Unbreakable
- Lightweight and flexible
- Easy to install and remove
- Easy to carry
- Compatible with other sprinkler systems
- High UV resistance
- Reliable sealing system

TECHNICAL INFO

Nominal diameter: 50, 63, 75, 90, 110 & 125 mm  
 Length: 5 & 6 m  
 Material: PE 100  
 Nominal pressure: 6 bar

MYB - 5 M TECHNICAL SPECIFICATIONS

Product code	Catalog numbers	Size	Nb. of latches	Latch type	Reinforcing ring	PN
050 MYB 050 100 006	805.04.50100	50 mm	2	AL023	○	6 bar
063 MYB 050 100 006	805.04.50200	63 mm	2	AL023	○	6 bar
075 MYB 050 100 006	805.04.50300	75 mm	2	AL055	○	6 bar
075 MYB 150 100 006	805.04.50301	75 mm	2	AL055	●	6 bar
090 MYB 050 100 006	805.04.50400	90 mm	2	AL055	○	6 bar
090 MYB 150 100 006	805.04.50401	90 mm	2	AL055	●	6 bar
110 MYB 150 100 006	805.04.50501	110 mm	3	AL055	●	6 bar
125 MYB 150 100 006	805.04.50601	125 mm	3	AL118	●	6 bar

MYB - 5,85 M TECHNICAL SPECIFICATIONS

Product code	Catalog numbers	Size	Nb. of latches	Latch type	Reinforcing ring	PN
050 MYB 058 100 006	805.04.50100	50 mm	2	AL023	○	6 bar
063 MYB 058 100 006	805.04.50200	63 mm	2	AL023	○	6 bar
075 MYB 058 100 006	805.04.50300	75 mm	2	AL055	○	6 bar
075 MYB 158 100 006	805.04.50301	75 mm	2	AL055	●	6 bar
090 MYB 058 100 006	805.04.50400	90 mm	2	AL055	○	6 bar
090 MYB 158 100 006	805.04.50401	90 mm	2	AL055	●	6 bar
110 MYB 158 100 006	805.04.50501	110 mm	3	AL055	●	6 bar
125 MYB 158 100 006	805.04.50601	125 mm	3	AL118	●	6 bar

MYB - 6 M TECHNICAL SPECIFICATIONS

Product code	Catalog numbers	Size	Nb. of latches	Latch type	Reinforcing ring	PN
050 MYB 060 100 006	805.04.60100	50 mm	2	AL023	○	6 bar
063 MYB 060 100 006	805.04.60200	63 mm	2	AL023	○	6 bar
075 MYB 060 100 006	805.04.60300	75 mm	2	AL055	○	6 bar
075 MYB 160 100 006	805.04.60301	75 mm	2	AL055	●	6 bar
090 MYB 060 100 006	805.04.60400	90 mm	2	AL055	○	6 bar
090 MYB 160 100 006	805.04.60401	90 mm	2	AL055	●	6 bar
110 MYB 160 100 006	805.04.60501	110 mm	3	AL055	●	6 bar
125 MYB 160 100 006	805.04.60601	125 mm	3	AL118	●	6 bar

MYB - 5 M LOADING DATA

Product code	Bundle quantity		40' DC Container		40' HC Container		Truck	
050 MYB 050 100 006	100 pcs	500 m	2600 pcs	13000 m	2900 pcs	14500 m	4000 pcs	20000 m
063 MYB 050 100 006	75 pcs	375 m	1950 pcs	9750 m	2175 pcs	10875 m	3000 pcs	15000 m
075 MYB 050 100 006	50 pcs	250 m	1300 pcs	6500 m	1450 pcs	7250 m	2000 pcs	10000 m
075 MYB 150 100 006	50 pcs	250 m	1300 pcs	6500 m	1450 pcs	7250 m	2000 pcs	10000 m
090 MYB 050 100 006	40 pcs	200 m	1040 pcs	5200 m	1160 pcs	5800 m	1600 pcs	8000 m
090 MYB 150 100 006	40 pcs	200 m	1040 pcs	5200 m	1160 pcs	5800 m	1600 pcs	8000 m
110 MYB 150 100 006	25 pcs	125 m	650 pcs	3250 m	725 pcs	3625 m	1000 pcs	5000 m
125 MYB 150 100 006	20 pcs	100 m	520 pcs	2600 m	580 pcs	2900 m	800 pcs	4000 m

MYB - 5,85 M LOADING DATA

Product code	Bundle quantity		40' DC Container		40' HC Container	
050 MYB 058 100 006	100 pcs	585 m	2600 pcs	15210 m	2900 pcs	16965 m
063 MYB 058 100 006	75 pcs	438,75 m	1950 pcs	11407,5 m	2175 pcs	12723,75 m
075 MYB 058 100 006	50 pcs	292,5 m	1300 pcs	7605 m	1450 pcs	8482,5 m
075 MYB 158 100 006	50 pcs	292,5 m	1300 pcs	7605 m	1450 pcs	8482,5 m
090 MYB 058 100 006	40 pcs	234 m	1040 pcs	6084 m	1160 pcs	6786 m
090 MYB 158 100 006	40 pcs	234 m	1040 pcs	6084 m	1160 pcs	6786 m
110 MYB 158 100 006	25 pcs	146,25 m	650 pcs	3802,5 m	725 pcs	4241,25 m
125 MYB 158 100 006	20 pcs	117 m	520 pcs	3042 m	580 pcs	3393 m

MYB - 6 M LOADING DATA

Product code	Bundle quantity		Truck	
050 MYB 060 100 006	100 pcs	600 m	4000 pcs	24000 m
063 MYB 060 100 006	75 pcs	450 m	3000 pcs	18000 m
075 MYB 060 100 006	50 pcs	300 m	2000 pcs	12000 m
075 MYB 160 100 006	50 pcs	300 m	2000 pcs	12000 m
090 MYB 060 100 006	40 pcs	240 m	1600 pcs	9600 m
090 MYB 160 100 006	40 pcs	240 m	1600 pcs	9600 m
110 MYB 160 100 006	25 pcs	150 m	1000 pcs	6000 m
125 MYB 160 100 006	20 pcs	120 m	800 pcs	4800 m



CROSS WITH LATCH

Provides a 2-way branch in latch type sprinkler irrigation pipes of same/different sizes

Product code	Catalog numbers	Size	Sack quantity	Sack weight	Package type
063 IES 063 000 063	805.06.01010	63 x 63 mm	20	11,4 kg	S1
075 IES 075 000 063	805.06.01020	75 x 63 mm	15	14,5 kg	S1
075 IES 075 100 063	805.06.01030	75 x 63 mm	15	15,5 kg	S1
075 IES 075 000 075	805.06.01040	75 x 75 mm	10	11,4 kg	S1
075 IES 075 101 075	805.06.01050	75 x 75 mm	10	13 kg	S1
090 IES 090 000 075	805.06.01060	90 x 75 mm	10	13,1 kg	S1
090 IES 090 100 075	805.06.01070	90 x 75 mm	10	13,9 kg	S1
090 IES 090 101 075	805.06.01080	90 x 75 mm	10	15,1 kg	S1
090 IES 090 000 090	805.06.01090	90 x 90 mm	10	15,3 kg	S1
090 IES 090 101 090	805.06.01100	90 x 90 mm	10	17,7 kg	S1
110 IES 110 100 075	805.06.01110	110 x 75 mm	7	12,4 kg	S1
110 IES 110 101 075	805.06.01120	110 x 75 mm	7	14,1 kg	S1
110 IES 110 100 090	805.06.01130	110 x 90 mm	7	13,8 kg	S1
110 IES 110 101 090	805.06.01140	110 x 90 mm	7	15,3 kg	S1
110 IES 110 101 110	805.06.01150	110 x 110 mm	7	17,5 kg	S1
125 IES 125 100 075	805.06.01160	125 x 75 mm	5	16,6 kg	S1
125 IES 125 101 075	805.06.01170	125 x 75 mm	5	17 kg	S1
125 IES 125 100 090	805.06.01180	125 x 90 mm	4	13,8 kg	S1
125 IES 125 101 090	805.06.01190	125 x 90 mm	4	14,5 kg	S1
125 IES 125 101 110	805.06.01200	125 x 110 mm	4	14,8 kg	S1
125 IES 125 101 125	805.06.01210	125 x 125 mm	3	15,9 kg	S1



TEE WITH LATCH

Provides a branch in latch type sprinkler irrigation pipes of same/different sizes

Product code	Catalog numbers	Size	Sack quantity	Sack weight	Package type
063 TES 063 000 063	805.06.02010	63 x 63 mm	35	15,4 kg	S1
075 TES 075 000 063	805.06.02020	75 x 63 mm	20	14,8 kg	S1
075 TES 075 100 063	805.06.02030	75 x 63 mm	20	16 kg	S1
075 TES 075 000 075	805.06.02040	75 x 75 mm	20	17 kg	S1
075 TES 075 101 075	805.06.02050	75 x 75 mm	20	20,6 kg	S1
090 TES 090 000 075	805.06.02060	90 x 75 mm	15	16,4 kg	S1
090 TES 090 100 075	805.06.02070	90 x 75 mm	15	17,6 kg	S1
090 TES 090 101 075	805.06.02080	90 x 75 mm	15	19,4 kg	S1
090 TES 090 000 090	805.06.02090	90 x 90 mm	15	16,9 kg	S1
090 TES 090 101 090	805.06.02100	90 x 90 mm	15	20,5 kg	S1
110 TES 110 100 075	805.06.02110	110 x 75 mm	10	16,6 kg	S1
110 TES 110 101 075	805.06.02120	110 x 75 mm	10	17,2 kg	S1
110 TES 110 100 090	805.06.02130	110 x 90 mm	8	13,6 kg	S1
110 TES 110 101 090	805.06.02140	110 x 90 mm	8	14,4 kg	S1
110 TES 110 101 110	805.06.02150	110 x 110 mm	8	15,1 kg	S1
125 TES 125 100 075	805.06.02160	125 x 75 mm	6	18,5 kg	S1
125 TES 125 101 075	805.06.02170	125 x 75 mm	6	19 kg	S1
125 TES 125 100 090	805.06.02180	125 x 90 mm	5	15,8 kg	S1
125 TES 125 101 090	805.06.02190	125 x 90 mm	5	16,2 kg	S1
125 TES 125 101 110	805.06.02200	125 x 110 mm	5	16,4 kg	S1
125 TES 125 101 125	805.06.02210	125 x 125 mm	5	20,2 kg	S1



**REDUCER WITH LATCH**

Joins latch type sprinkler irrigation pipes of different sizes

Product code	Catalog numbers	Size	Sack quantity	Sack weight	Package type
075 RES 075 000 050	805.06.03010	75 x 50 mm	50	22,7 kg	S1
075 RES 075 000 063	805.06.03020	75 x 63 mm	50	24,1 kg	S1
090 RES 090 000 075	805.06.03030	90 x 75 mm	25	17,6 kg	S1
090 RES 090 001 075	805.06.03040	90 x 75 mm	25	19 kg	S1
110 RES 110 000 075	805.06.03050	110 x 75 mm	20	19,6 kg	S1
110 RES 110 001 075	805.06.03060	110 x 75 mm	20	20,8 kg	S1
110 RES 110 000 090	805.06.03070	110 x 90 mm	15	16,2 kg	S1
110 RES 110 001 090	805.06.03080	110 x 90 mm	15	17,8 kg	S1
125 RES 125 000 075	805.06.03090	125 x 75 mm	12	17,7 kg	S1
125 RES 125 001 075	805.06.03100	125 x 75 mm	12	18,6 kg	S1
125 RES 125 000 090	805.06.03110	125 x 90 mm	12	18,8 kg	S1
125 RES 125 001 090	805.06.03120	125 x 90 mm	12	20 kg	S1
125 RES 125 001 110	805.06.03130	125 x 110 mm	10	17,6 kg	S1



**ELBOW WITH LATCH**

Creates a corner in latch type sprinkler irrigation pipes

Product code	Catalog numbers	Size	Sack quantity	Sack weight	Package type
050 MSD 050 000 050	805.06.04010	50 mm	60	22,4 kg	S1
063 MSD 063 000 063	805.06.04020	63 mm	40	16,2 kg	S1
075 MSD 075 000 075	805.06.04030	75 mm	25	18,6 kg	S1
075 MSD 075 001 075	805.06.04040	75 mm	25	20,1 kg	S1
090 MSD 090 000 090	805.06.04050	90 mm	15	14,9 kg	S1
090 MSD 090 001 090	805.06.04060	90 mm	15	16 kg	S1
110 MSD 110 001 110	805.06.04070	110 mm	10	15,4 kg	S1
125 MSD 125 001 125	805.06.04080	125 mm	6	16,6 kg	S1



**SWAN NECK WITH LATCH**

Joins latch type pump connection and sprinkler irrigation pipe with an (S) shape

Product code	Catalog numbers	Size
075 MSS 075 000 075	805.06.05010	75 mm
075 MSS 075 001 075	805.06.05020	75 mm
090 MSS 090 000 090	805.06.05030	90 mm
090 MSS 090 001 090	805.06.05040	90 mm
110 MSS 110 001 110	805.06.05050	110 mm



**HYDRANT WITH LATCH**

Obtains female thread from latch type sprinkler irrigation pipe line

Product code	Catalog numbers	Size
050 MAB 050 F10 050	805.06.12010	50 mm x 1"
063 MAB 063 F10 063	805.06.12020	63 mm x 1"
075 MAB 075 F10 075	805.06.12030	75 mm x 1"
090 MAB 090 F10 090	805.06.12040	90 mm x 1"



**FEMALE PUMP CONNECTION WITH LATCH**

Obtains latch type female outlet from pump

Product code	Catalog numbers	Size	Sack quantity	Sack weight
050 MDP M13 000 050	805.06.06010	50 mm x 1 1/2"	100	25,1 kg
063 MDP M20 000 063	805.06.06020	63 mm x 2"	100	27,1 kg
075 MDP M23 000 075	805.06.06030	75 mm x 2 1/2"	50	18,6 kg
090 MDP M30 000 090	805.06.06040	90 mm x 3"	40	20,9 kg
110 MDP M40 000 110	805.06.06050	110 mm x 4"	30	21,1 kg
125 MDP M43 000 125	805.06.06060	125 mm x 4 1/2"	25	22,2 kg
140 MDP M50 000 140	805.06.06070	140 mm x 5"	10	19,2 kg
160 MDP M60 000 160	805.06.06080	160 mm x 6"	10	18,6 kg



**MALE PUMP CONNECTION WITH LATCH**

Obtains latch type male outlet from pump

Product code	Catalog numbers	Size	Sack quantity	Sack weight
050 MEP M13 000 050	805.06.07010	50 mm x 1 1/2"	100	35,1 kg
063 MEP M20 000 063	805.06.07020	63 mm x 2"	100	38,1 kg
075 MEP M23 000 075	805.06.07030	75 mm x 2 1/2"	50	27,1 kg
090 MEP M30 000 090	805.06.07040	90 mm x 3"	40	28,5 kg
110 MEP M40 000 110	805.06.07050	110 mm x 4"	25	23,1 kg
125 MEP M43 000 125	805.06.07060	125 mm x 4 1/2"	16	23,5 kg
140 MEP M50 000 140	805.06.07070	140 mm x 5"	8	24,5 kg
160 MEP M60 000 160	805.06.07080	160 mm x 6"	8	24,9 kg



TRANSITION WITH LATCH (MALE-MALE)



Product code	Catalog numbers	Size	Sack quantity	Sack weight	Package type
075 MEG 075 000 075	805.06.08030	75 mm	20	20,5 kg	S1
090 MEG 090 000 090	805.06.08040	90 mm	15	19 kg	S1
110 MEG 110 000 110	805.06.08050	110 mm	10	20,7 kg	S1
125 MEG 125 000 125	805.06.08060	125 mm	5	17,6 kg	S1

TRANSITION WITH LATCH (FEMALE-FEMALE)



Product code	Catalog numbers	Size	Sack quantity	Sack weight	Package type
075 MDG 075 000 075	805.06.09030	75 mm	20	17,5 kg	S1
075 MDG 075 101 075	805.06.09040	75 mm	20	19,9 kg	S1
090 MDG 090 000 090	805.06.09050	90 mm	15	16,6 kg	S1
090 MDG 090 101 090	805.06.09060	90 mm	15	18,7 kg	S1
110 MDG 110 101 110	805.06.09070	110 mm	10	20,2 kg	S1
125 MDG 125 101 125	805.06.09080	125 mm	5	16,7 kg	S1

LINE VALVE WITH LATCH



Used to turn off or regulate the water flow between latch type sprinkler irrigation pipes

Product code	Catalog numbers	Size	Box quantity	Box weight	Package type
050 MHE 050 000 050	805.06.11010	50 mm	50	37,6 kg	F
063 MHE 063 000 063	805.06.11020	63 mm	32	26,3 kg	F
075 MHE 075 000 075	805.06.11030	75 mm	15	24,2 kg	F
090 MHE 090 000 090	805.06.11040	90 mm	15	32,6 kg	G
110 MHE 110 000 110	805.06.11050	110 mm	9	29,6 kg	H
125 MHE 125 000 125	805.06.11060	125 mm	7	28,9 kg	H

MALE END PLUG WITH LATCH



Closes the end of latch type sprinkler irrigation pipe

Product code	Catalog numbers	Size	Sack quantity	Sack weight	Package type
050 MEK 050 000 000	805.06.13010	50 mm	100	11,2 kg	S2
063 MEK 063 000 000	805.06.13020	63 mm	100	15,2 kg	S2
075 MEK 075 000 000	805.06.13030	75 mm	50	14,7 kg	S2
090 MEK 090 000 000	805.06.13040	90 mm	30	11,9 kg	S2
110 MEK 110 000 000	805.06.13050	110 mm	20	12,9 kg	S2
125 MEK 125 000 000	805.06.13060	125 mm	10	10,9 kg	S2

FEMALE END PLUG WITH LATCH



Closes the end of latch type sprinkler irrigation pipe

Product code	Catalog numbers	Size	Sack quantity	Sack weight	Package type
050 MDK 050 000 000	805.06.14010	50 mm	100	7,4 kg	S2
063 MDK 063 000 000	805.06.14020	63 mm	100	9,2 kg	S2
075 MDK 075 000 000	805.06.14030	75 mm	50	10,5 kg	S2
075 MDK 075 100 000	805.06.14040	90 mm	50	13,3 kg	S2
090 MDK 090 000 000	805.06.14050	110 mm	30	9 kg	S2
090 MDK 090 100 000	805.06.14060	125 mm	30	11,4 kg	S2
110 MDK 110 100 000	805.06.14070	110 mm	20	9,8 kg	S2
125 MDK 125 100 000	805.06.14080	125 mm	10	10,5 kg	S2



**MALE HEAD WITH LATCH**

Welded to the tip of pe main pipe

Product code	Catalog numbers	Size	Sack quantity	Sack weight	Package type
050 MER 050 000 050	805.06.15010	50 mm	100	10,2 kg	S2
063 MER 063 000 063	805.06.15020	63 mm	100	12,1 kg	S2
075 MER 075 000 075	805.06.15030	75 mm	50	12,8 kg	S2
090 MER 090 000 090	805.06.15040	90 mm	30	9,7 kg	S2
110 MER 110 000 110	805.06.15050	110 mm	20	10,7 kg	S2
125 MER 125 000 125	805.06.15060	125 mm	10	9,8 kg	S2



**FEMALE HEAD WITH LATCH**

Welded to the tip of pe main pipe

Product code	Catalog numbers	Size	Sack quantity	Sack weight	Package type
050 MDI 050 000 050	805.06.16010	50 mm	100	6,2 kg	S2
063 MDI 063 000 063	805.06.16020	63 mm	100	6,9 kg	S2
075 MDI 075 000 075	805.06.16030	75 mm	50	8,4 kg	S2
075 MDI 075 100 075	805.06.16040	75 mm	50	11,4 kg	S2
090 MDI 090 000 090	805.06.16050	90 mm	30	7,3 kg	S2
090 MDI 090 100 090	805.06.16060	90 mm	30	9,7 kg	S2
110 MDI 110 100 110	805.06.16070	110 mm	20	8,3 kg	S2
125 MDI 125 100 125	805.06.16080	125 mm	10	8,9 kg	S2



**LATCH TYPE GASKET**

Used to connect latch type male to female

Product code	Catalog numbers	Size	Bundle quantity	Bundle weight
050 MCO 050 000 000	805.06.17010	50 mm	100	0,95 kg
063 MCO 063 000 000	805.06.17020	63 mm	50	0,83 kg
075 MCO 075 000 000	805.06.17030	75 mm	50	1,18 kg
090 MCO 090 000 000	805.06.17040	90 mm	50	1,87 kg
110 MCO 110 000 000	805.06.17050	110 mm	50	3 kg
125 MCO 125 000 000	805.06.17060	125 mm	50	3,8 kg
140 MCO 140 000 000	805.06.17070	140 mm	50	5,86 kg
160 MCO 160 000 000	805.06.17080	160 mm	50	7,53 kg



**CROSS WITH LATCH (FEMALE INLET)**

Provides a 2-way branch in latch type sprinkler irrigation pipes of same/different sizes

Product code	Catalog numbers	Size	Sack quantity	Sack weight	Package type
063 IDS 063 000 063	805.06.21010	63 x 63 mm	20	13,5 kg	S1
075 IDS 075 000 063	805.06.21020	75 x 63 mm	15	14,2 kg	S1
075 IDS 075 100 063	805.06.21030	75 x 63 mm	15	15 kg	S1
075 IDS 075 000 075	805.06.21040	75 x 75 mm	10	13,2 kg	S1
075 IDS 075 100 075	805.06.21050	75 x 75 mm	10	13,4 kg	S1
090 IDS 090 000 075	805.06.21060	90 x 75 mm	10	15,1 kg	S1
090 IDS 090 100 075	805.06.21070	90 x 75 mm	10	15,8 kg	S1
090 IDS 090 000 090	805.06.21080	90 x 90 mm	10	16,8 kg	S1
090 IDS 090 100 090	805.06.21090	90 x 90 mm	10	17,5 kg	S1
110 IDS 110 100 075	805.06.21100	110 x 75 mm	7	13,7 kg	S1
110 IDS 110 100 090	805.06.21110	110 x 90 mm	7	15 kg	S1
110 IDS 110 100 110	805.06.21120	110 x 110 mm	7	19,3 kg	S1
125 IDS 125 100 075	805.06.21130	125 x 75 mm	5	17,5 kg	S1
125 IDS 125 100 090	805.06.21140	125 x 90 mm	4	14,5 kg	S1
125 IDS 125 100 110	805.06.21150	125 x 110 mm	4	15,9 kg	S1
125 IDS 125 100 125	805.06.21160	125 x 125 mm	3	16,2 kg	S1



TEE WITH LATCH (FEMALE INLET)

Provides a branch in latch type sprinkler irrigation pipes of same/different sizes

Product code	Catalog numbers	Size	Sack quantity	Sack weight	Package type
063 TDS 063 000 063	805.06.22010	63 x 63 mm	35	18 kg	S1
075 TDS 075 000 063	805.06.22020	75 x 63 mm	20	15,8 kg	S1
075 TDS 075 100 063	805.06.22030	75 x 63 mm	20	16,8 kg	S1
075 TDS 075 000 075	805.06.22040	75 x 75 mm	20	19,6 kg	S1
075 TDS 075 100 075	805.06.22050	75 x 75 mm	20	20,8 kg	S1
090 TDS 090 000 075	805.06.22060	90 x 75 mm	15	17,7 kg	S1
090 TDS 090 100 075	805.06.22070	90 x 75 mm	15	18,8 kg	S1
090 TDS 090 000 090	805.06.22080	90 x 90 mm	15	19,4 kg	S1
090 TDS 090 100 090	805.06.22090	90 x 90 mm	15	20,7 kg	S1
110 TDS 110 100 075	805.06.22100	110 x 75 mm	10	17,4 kg	S1
110 TDS 110 100 090	805.06.22110	110 x 90 mm	8	14,2 kg	S1
110 TDS 110 100 110	805.06.22120	110 x 110 mm	8	16,3 kg	S1
125 TDS 125 100 075	805.06.22130	125 x 75 mm	6	19 kg	S1
125 TDS 125 100 090	805.06.22140	125 x 90 mm	5	16,3 kg	S1
125 TDS 125 100 110	805.06.22150	125 x 110 mm	5	16,9 kg	S1
125 TDS 125 100 125	805.06.22160	125 x 125 mm	5	20,6 kg	S1



REDUCER WITH LATCH (FEMALE INLET)

Joins latch type sprinkler irrigation pipes of different sizes

Product code	Catalog numbers	Size	Sack quantity	Sack weight	Package type
075 RDS 075 000 050	805.06.23010	75 x 50 mm	50	20,1 kg	S1
075 RDS 075 100 050	805.06.23020	75 x 50 mm	50	23 kg	S1
075 RDS 075 000 063	805.06.23030	75 x 63 mm	50	22,2 kg	S1
075 RDS 075 100 063	805.06.23040	75 x 63 mm	50	24,7 kg	S1
090 RDS 090 000 075	805.06.23050	90 x 75 mm	25	17,8 kg	S1
090 RDS 090 100 075	805.06.23060	90 x 75 mm	25	19,7 kg	S1
110 RDS 110 100 075	805.06.23070	110 x 75 mm	20	19,2 kg	S1
110 RDS 110 100 090	805.06.23080	110 x 90 mm	15	15,5 kg	S1
125 RDS 125 100 075	805.06.23090	125 x 75 mm	12	18,3 kg	S1
125 RDS 125 100 090	805.06.23100	125 x 90 mm	12	19,3 kg	S1
125 RDS 125 100 110	805.06.23110	125 x 110 mm	10	18,6 kg	S1



REVERSE TEE WITH LATCH (MALE INLET)

Provides a branch in latch type sprinkler irrigation pipes of same/different sizes

Product code	Catalog numbers	Size	Sack quantity	Sack weight	Package type
063 TED 063 000 063	805.06.32010	63 x 63 mm	35	15,8 kg	S1
075 TED 075 000 075	805.06.32020	75 x 75 mm	20	18 kg	S1
075 TED 075 001 075	805.06.32030	75 x 75 mm	20	20,1 kg	S1
090 TED 090 000 090	805.06.32040	90 x 90 mm	15	18,3 kg	S1
090 TED 090 001 090	805.06.32050	90 x 90 mm	15	20,4 kg	S1
110 TED 110 001 110	805.06.32060	110 x 110 mm	8	15,2 kg	S1
125 TED 125 001 125	805.06.32070	125 x 125 mm	5	20,2 kg	S1



TEE WITH LATCH (FEMALE INLET)

Provides a branch in latch type sprinkler irrigation pipes of same/different sizes

Product code	Catalog numbers	Size	Sack quantity	Sack weight	Package type
063 TDE 063 000 063	805.06.42010	63 x 63 mm	35	18 kg	S1
075 TDE 075 000 075	805.06.42020	75 x 75 mm	20	19,7 kg	S1
075 TDE 075 100 075	805.06.42030	75 x 75 mm	20	20,8 kg	S1
090 TDE 090 000 090	805.06.42040	90 x 90 mm	15	19,5 kg	S1
090 TDE 090 100 090	805.06.42050	90 x 90 mm	15	20,6 kg	S1
110 TDE 110 100 110	805.06.42060	110 x 110 mm	8	16,3 kg	S1
125 TDE 125 100 125	805.06.42070	125 x 125 mm	5	20,5 kg	S1



**BALL VALVE**

Used to turn off or regulate the water flow to sprinkler and allows to place or clean the sprinkler without disrupting irrigation process

Product code	Catalog numbers	Size	Sack quantity	Sack weight	Package type
032 KVA F10 000 M10	805.09.01010	1"	100	12,1 kg	S2



**FEMALE THREADED COUPLING (BLACK)**

Provides a connection with a combination of female threads

Product code	Catalog numbers	Size	Sack quantity	Sack weight	Package type
032 EFF F10 000 F10	805.09.02010	1"	500	11,9 kg	S2



**FEMALE THREADED COUPLING (ORANGE)**

Provides a connection with a combination of female threads

Product code	Catalog numbers	Size	Sack quantity	Sack weight	Package type
032 EFT F10 000 F10	805.09.03010	1"	500	11,9 kg	S2



**PE MALE THREADED RISER (BLACK)**

Provides a connection with a combination of male threads with different size options

Product code	Catalog numbers	Size	Sack quantity	Sack weight	Package type
032 UBS M10 025 M10	805.09.04010	1" x 25 cm	200	19,4 kg	S2
032 UBS M10 035 M10	805.09.04020	1" x 35 cm	150	21,1 kg	S2
032 UBS M10 050 M10	805.09.04030	1" x 50 cm	50	9 kg	S2



**PE MALE THREADED RISER (ORANGE)**

Provides a connection with a combination of male threads with different size options

Product code	Catalog numbers	Size	Sack quantity	Sack weight	Package type
032 UBT M10 025 M10	805.09.05010	1" x 25 cm	200	19,4 kg	S2
032 UBT M10 035 M10	805.09.05020	1" x 35 cm	150	21,1 kg	S2
032 UBT M10 050 M10	805.09.05030	1" x 50 cm	50	9 kg	S2



**PVC MALE THREADED RISER**

Provides a connection with a combination of male threads with different size options

Product code	Catalog numbers	Size	Sack quantity	Sack weight
032 UBB M10 025 M10	805.09.06010	1" x 25 cm	300	30,3 kg
032 UBB M10 033 M10	805.09.06019	1" x 33 cm	150	20 kg
032 UBB M10 035 M10	805.09.06020	1" x 35 cm	150	21,2 kg
032 UBB M10 050 M10	805.09.06030	1" x 50 cm	100	20,2 kg
032 UBB M10 060 M10	805.09.06040	1" x 60 cm	100	24,2 kg
032 UBB M10 070 M10	805.09.06050	1" x 70 cm	100	28,2 kg
032 UBB M10 100 M10	805.09.06060	1" x 100 cm	100	40,2 kg
032 UBB M10 120 M10	805.09.06070	1" x 120 cm	50	24,2 kg
032 UBB M10 150 M10	805.09.06080	1" x 150 cm	40	24,2 kg
032 UBB M10 200 M10	805.09.06090	1" x 200 cm	40	32,4 kg



**MALE THREADED COUPLING**

Provides a connection with a combination of male threads

Product code	Catalog numbers	Size	Sack quantity	Sack weight	Package type
032 EMM M10 000 M10	805.09.07010	1"	500	8,1 kg	S2



**FEMALE THREADED REDUCTION COUPLING**

Provides a connection with a combination of female threads of different sizes

Product code	Catalog numbers	Size	Sack quantity	Sack weight	Package type
020 SBA F03 000 F10	805.09.08010	1" x 1/2"	500	9,5 kg	S2
025 SBA F04 000 F10	805.09.08020	1" x 3/4"	500	10,5 kg	S2



**HYDRANT ADAPTOR**

Product code	Catalog numbers	Size	Sack quantity	Sack weight	Package type
040 ADP M12 000 F10	805.09.11010	1 1/4" x 1"	500	8,6 kg	S2



**HYDRANT FOOT**

Product code	Catalog numbers	Size	Sack quantity	Sack weight	Package type
353 AYK 000 000 000	805.09.12010	373 mm	150	22,7 kg	S1



# SPRINKLERS

MINI IMPACT SPRINKLER

IMPACT SPRINKLER



**FEATURES**

- Full circle irrigation
- Maximum wetting diameter: 24-meter
- Regular water flow
- High water distribution uniformity with spacing up to 14-meter
- Resistant to chemicals
- High UV resistance
- Corrosion resistant spring
- Color-coded nozzle options for easy service
  - Gray: 1,8 mm
  - Purple: 2,5 mm
  - Yellow: 2,8 mm
  - Green: 3,0 mm
  - Red: 3,2 mm
- Easy installation
- Lightweight, compact and robust design
- No runoff



**TECHNICAL SPECIFICATIONS**

Product code	Size	Nozzle diameter	Max wetting diameter	Box quantity	Box weight
024 SIR 025 M03 018	½"	2,5 x 1,8 mm	21,5 m	150	6,8 kg
024 SIR 028 M03 018	½"	2,8 x 1,8 mm	22,0 m	150	6,8 kg
024 SIR 030 M03 018	½"	3,0 x 1,8 mm	23,0 m	150	6,8 kg
024 SIR 032 M03 018	½"	3,2 x 1,8 mm	24,0 m	150	6,8 kg

**PERFORMANCE DATA**

Nozzle diameter mm	Pressure bar	Max wetting diameter m	Flow rate m³/h	Spacing m x m					Precipitation rate mm/h
				10 x 10	10 x 12	12 x 12	12 x 14	14 x 14	
<b>024 SIR 025 M03 018</b>									
2,5 x 1,8	2	21	0,526	5,26	4,38	3,65			
	2,5	21	0,589	5,89	4,91	4,09			
	3	21	0,645	6,45	5,38	4,48			
	3,5	21,5	0,696	6,96	5,80	4,83			
	4	21,5	0,745	7,45	6,21	5,17			
<b>024 SIR 028 M03 018</b>									
2,8 x 1,8	2	21,5	0,615	6,15	5,13	4,27	3,66	3,14	
	2,5	22	0,686	6,86	5,72	4,76	4,08	3,50	
	3	22	0,752	7,52	6,27	5,65	4,84	4,15	
	3,5	22	0,813	8,13	6,78	5,65	4,84	4,15	
	4	22	0,869	8,69	7,24	6,03	5,17	4,43	
<b>024 SIR 030 M03 018</b>									
3,0 x 1,8	2	22	0,679	6,79	5,66	4,72	4,04	3,46	
	2,5	22	0,759	7,59	6,33	5,27	4,52	3,87	
	3	23	0,832	8,32	6,93	5,78	4,95	4,24	
	3,5	23	0,898	8,98	7,48	6,24	5,35	4,58	
	4	23	0,96	9,60	8,00	6,67	5,71	4,90	
<b>024 SIR 032 M03 018</b>									
3,2 x 1,8	2	23	0,747	7,47	6,23	5,19	4,45	3,81	
	2,5	23	0,836	8,36	6,97	5,81	4,98	3,81	
	3	24	0,915	9,15	7,63	6,35	5,45	4,67	
	3,5	24	0,989	9,89	8,24	6,87	5,89	5,05	
	4	24	1,057	10,57	8,81	7,34	6,29	5,39	

**MINI IMPACT SPRINKLER FITTINGS**



**MINI IMPACT SPRINKLER CONNECTION ADAPTOR**

Product code	Size	Bag quantity	Box quantity	Box weight
012 SBA F03 000 K12	12 mm x ½"	25	550	6,4 kg

**MINI IMPACT SPRINKLER CONNECTION PIPE**

012 SBB D09 000 012	12 mm	-	150	8,4 kg
---------------------	-------	---	-----	--------

**MINI IMPACT SPRINKLER ANCHOR**

120 SSC 000 000 000	8 mm x 120 cm	-	25	11,8 kg
---------------------	---------------	---	----	---------



#### APPLICATIONS

- Various field crops

#### FEATURES

- Full circle irrigation
- Maximum wetting diameter: 30-meter
- Regular water flow
- High water distribution uniformity with spacing up to 24-meter
- Resistant to chemicals
- High UV resistance
- Corrosion resistant spring and wing shaft
- Different nozzle options
- Easy installation
- No runoff

#### TECHNICAL SPECIFICATIONS

Product code	Size	Nozzle diameter	Max wetting diameter	Box quantity	Box weight
030 SIR 038 M04 000	¾"	3,8 x 0,0 mm	30,5 m	45	9,1 kg
030 SIR 050 M04 000	¾"	5,0 x 0,0 mm	33,3 m	45	9,1 kg
030 SIR 038 M04 023	¾"	3,8 x 2,3 mm	30,5 m	45	9,1 kg
030 SIR 050 M04 045	¾"	5,0 x 4,5 mm	33,3 m	45	9,1 kg

\* Packaged with 025 SBA F04 000 F10 coded reduction coupling. Boxes include two nozzles (5,0 x 4,5) assembled with the product and two spare nozzles (3,8 x 2,3) for each product.

#### PERFORMANCE DATA

Nozzle diameter mm	Pressure bar	Max wetting diameter m	Flow rate m <sup>3</sup> /h	Spacing m x m			Precipitation rate mm/h
				10 x 10	10 x 12	12 x 12	
<b>030 SIR 038 M04 000</b>							
3,8 x 0,0	1,5	24,4	0,72	3,33	2,22		
	2	27,2	0,79	3,66	2,44		
	2,5	28,8	0,82	3,80	2,53		
	3	30	0,98	4,54	3,02		
	3,5	30,5	1,06	4,91	3,27		
<b>030 SIR 050 M04 000</b>							
5,0 x 0,0	1,5	25,8	1,26	5,83	3,89	2,92	
	2	29,2	1,46	6,76	4,51	3,38	
	2,5	31,5	1,58	7,31	4,88	3,66	
	3	32,8	1,80	8,33	5,56	4,17	
	3,5	33,3	1,93	8,94	5,96	4,47	
<b>030 SIR 038 M04 023</b>							
3,8 x 2,3	1,5	24,4	1,11	5,15	3,43		
	2	27,2	1,19	5,51	3,67		
	2,5	28,8	1,28	5,93	3,95	2,96	
	3	30	1,52	7,04	4,69	3,52	
	3,5	30,5	1,62	7,50	5,00	3,75	
<b>030 SIR 050 M04 045</b>							
5,0 x 4,5	1,5	25,8	1,96	9,07	6,05	4,54	
	2	29,2	2,18	10,09	6,73	5,05	
	2,5	31,5	2,5		7,72	5,79	
	3	32,8	2,78		8,58	6,44	
	3,5	33,3	2,98		9,20	6,90	



## **MAIN PIPES**

**PE PIPE**

**PVC LAY FLAT**

**FLEXIBLE PIPE**





**APPLICATIONS**

- Transportation of drinking water
- Irrigation systems
- Fire water systems

**FEATURES**

- Flexibility
- Unbreakable
- High impact strength
- High crack propagation resistance
- UV resistant
- Low internal surface roughness
- Resistant to chemicals and fertilizers used in agriculture



**PEK SERIES - PE 40 TECHNICAL SPECIFICATIONS**

D mm	PN 4		PN 5		PN 8		PN 10		Coil length m
	Wall thickness mm	Unit weight kg/m	Wall thickness mm	Unit weight kg/m	Wall thickness mm	Unit weight kg/m	Wall thickness mm	Unit weight kg/m	
20					2,500	0,127	3,200	0,174	250
25			2,150	0,188	3,200	0,232	3,750	0,269	250
32	2,150	0,223	2,600	0,310	3,850	0,372	4,700	0,439	200
40	2,600	0,345	3,250	0,475	4,800	0,580	5,850	0,679	200
50	3,200	0,530	3,950	0,741	5,950	0,906	7,300	1,060	150
63	4,050	0,844	5,000	1,170	7,550	1,422	9,100	1,670	100
75	4,800	1,194	5,950	1,660	8,900	2,023	10,900	2,360	100
90	5,750	1,710	6,100	2,370	10,700	2,898	13,000	3,400	100
110	7,000	2,523	8,600	3,520	13,000	4,339	15,950	5,090	100

**PEB SERIES - PE 80 TECHNICAL SPECIFICATIONS**

D mm	PN 5		PN 6		PN 8		PN 10		Coil length m
	Wall thickness mm	Unit weight kg/m	Wall thickness mm	Unit weight kg/m	Wall thickness mm	Unit weight kg/m	Wall thickness mm	Unit weight kg/m	
25							2,150	0,161	250
32					2,150	0,200	2,600	0,249	200
40			2,150	0,250	2,600	0,295	3,250	0,389	200
50	2,150	0,288	2,600	0,375	3,200	0,455	3,950	0,592	150
63	2,700	0,475	3,200	0,580	4,050	0,720	5,000	0,944	100
75	3,100	0,635	3,850	0,825	4,800	1,020	5,950	1,336	100
90	3,750	0,925	4,600	1,178	5,750	1,460	7,100	1,914	100
110	4,500	1,370	5,650	1,770	7,000	2,180	8,600	2,830	100

**PEB SERIES - PE 100 TECHNICAL SPECIFICATIONS**

D mm	PN 6		PN 8		PN 10		PN 16		Coil length m
	Wall thickness mm	Unit weight kg/m	Wall thickness mm	Unit weight kg/m	Wall thickness mm	Unit weight kg/m	Wall thickness mm	Unit weight kg/m	
20							2,150	0,131	250
25							2,500	0,211	250
32					2,150	0,200	3,200	0,326	200
40			2,150	0,250	2,600	0,295	3,950	0,507	200
50	2,150	0,288	2,600	0,375	3,200	0,455	4,900	0,785	150
63	2,700	0,475	3,200	0,580	4,050	0,720	6,150	1,252	100
75	3,100	0,635	3,850	0,825	4,800	1,020	7,200	1,744	100
90	3,750	0,925	4,600	1,178	5,750	1,460	8,700	2,530	100
110	4,500	1,370	5,650	1,770	7,000	2,180	10,550	3,770	100



**APPLICATIONS**

- Water supply or discharge
- Drip irrigation systems
- Sprinkler irrigation systems

**FEATURES**

- High flexibility
- User friendly
- Easy transportation and storage



**LFB SERIES  
SUNNYHOSE TECHNICAL SPECIFICATIONS**

Product code	Size mm x inch	Wall thickness mm	Working pressure bar	Coil dimensions cm	Coil weight kg	Coil length m
040 LFB 125 SBL 005	40 x 1 1/2"	1,25	5	64 x 64 x 7	22	100
050 LFB 130 SBL 004	50 x 2"	1,30	4,5	66 x 66 x 9	28,6	100
063 LFB 150 SBL 004	63 x 2 1/2"	1,50	4	70 x 70 x 12	40,2	100
075 LFB 170 SBL 004	75 x 3"	1,70	4	76 x 76 x 13	55,5	100
100 LFB 175 SBL 004	100 x 4"	1,75	4	78 x 78 x 17	74,5	100
125 LFB 185 SBL 003	125 x 5"	1,85	3	78 x 78 x 22	98	100
150 LFB 195 SBL 003	150 x 6"	1,95	3	82 x 82 x 26	122,5	100
200 LFB 220 SBL 003	200 x 8"	2,20	3	88 x 88 x 34	184,8	100



**LFB SERIES  
HI-SUNNYHOSE TECHNICAL SPECIFICATIONS**

Product code	Size mm x inch	Wall thickness mm	Working pressure bar	Coil dimensions cm	Coil weight kg	Coil length m
040 LFB 145 SDB 007	40 x 1 1/2"	1,45	7	72 x 72 x 7	24,6	100
050 LFB 160 SDB 007	50 x 2"	1,60	7	80 x 80 x 8	34,2	100
063 LFB 170 SDB 007	63 x 2 1/2"	1,70	7	84 x 84 x 12	44,3	100
075 LFB 190 SDB 006	75 x 3"	1,90	6	88 x 88 x 13	58,6	100
100 LFB 230 SDB 006	100 x 4"	2,30	6	90 x 90 x 17	89,5	100
125 LFB 230 SDB 006	125 x 5"	2,30	6	92 x 92 x 22	111,4	100
150 LFB 260 SDB 006	150 x 6"	2,60	6	96 x 96 x 26	152,4	100
200 LFB 265 SDB 004	200 x 8"	2,65	4	96 x 96 x 34	207,5	100



**LFB SERIES  
HD-SUNNYHOSE TECHNICAL SPECIFICATIONS**

Product code	Size mm x inch	Wall thickness mm	Working pressure bar	Coil dimensions cm	Coil weight kg	Coil length m
040 LFB 190 SBR 010	40 x 1 1/2"	1,9	10,5	82 x 82 x 8	31,2	100
050 LFB 205 SBR 010	50 x 2"	2,05	10,5	88 x 88 x 10	44,9	100
063 LFB 215 SBR 010	63 x 2 1/2"	2,15	10,5	92 x 92 x 12	57,5	100
075 LFB 225 SBR 009	75 x 3"	2,25	9	94 x 94 x 14	70,2	100
100 LFB 255 SBR 009	100 x 4"	2,55	9	98 x 98 x 17	106,3	100
150 LFB 295 SBR 007	150 x 6"	2,95	7	104 x 104 x 26	176,7	100
200 LFB 295 SBR 005	200 x 8"	2,95	5	104 x 104 x 34	232,5	100



## VALVES

MONOBLOCK BALL VALVES  
SINGLE UNION BALL VALVES  
TRUE UNION BALL VALVES  
AIR RELEASE VALVES



FEMALE THREADED PVC BALL VALVE

Used to turn off or regulate the water flow with a combination of female threads

Product code	Catalog numbers	Size	Box quantity	Box weight	Package type
020 PKV F03 000 F03	808.04.01010	½"	250	20,7 kg	I
025 PKV F04 000 F04	808.04.01020	¾"	150	20,8 kg	I
032 PKV F10 000 F10	808.04.01030	1"	90	19,9 kg	I
040 PKV F12 000 F12	808.04.01040	1 ¼"	60	16 kg	I
050 PKV F13 000 F13	808.04.01050	1 ½"	50	21,1 kg	I
063 PKV F20 000 F20	808.04.01060	2"	30	19,9 kg	I
075 PKV F23 000 F23	808.04.01070	2 ½"	14	16,7 kg	I
090 PKV F30 000 F30	808.04.01080	3"	8	16,7 kg	I
110 PKV F40 000 F40	808.04.01090	4"	4	12,1 kg	I



CEMENTED PVC BALL VALVE

Used to turn off or regulate the water flow with a combination of cement outlets

Product code	Catalog numbers	Size	Box quantity	Box weight	Package type
032 CKV F10 000 F10	808.04.02010	1"	90	19,9 kg	I
040 CKV F12 000 F12	808.04.02020	1 ¼"	60	16 kg	I
050 CKV F13 000 F13	808.04.02030	1 ½"	50	21,1 kg	I
063 CKV F20 000 F20	808.04.02040	2"	30	19,9 kg	I
075 CKV F23 000 F23	808.04.02050	2 ½"	14	16,7 kg	I
090 CKV F30 000 F30	808.04.02060	3"	8	16,7 kg	I
110 CKV F40 000 F40	808.04.02070	4"	4	12,1 kg	I



FEMALE THREADED SINGLE UNION PVC BALL VALVE

Used to turn off or regulate the water flow with a combination of female threads

Product code	Catalog numbers	Size	Box quantity	Box weight	Package type
050 K1F F13 000 F13	808.07.01010	1 ½"	80	41,2 kg	F
063 K1F F20 000 F20	808.07.01020	2"	32	29,5 kg	F



CEMENTED SINGLE UNION PVC BALL VALVE

Used to turn off or regulate the water flow with a combination of cement outlets

Product code	Catalog numbers	Size	Box quantity	Box weight	Package type
050 K1C F13 000 F13	808.07.02010	1 ½"	80	41,2 kg	F
063 K1C F20 000 F20	808.07.02020	2"	32	29,5 kg	F



FEMALE THREADED TRUE UNION PVC BALL VALVE

Used to turn off or regulate the water flow with a combination of female threaded sockets

Product code	Catalog numbers	Size	Box quantity	Box weight	Package type
063 K2F F20 000 F20	808.10.01010	2"	32	37,8 kg	F
075 K2F F23 000 F23	808.10.01020	2 1/2"	15	22,4 kg	F
090 K2F F30 000 F30	808.10.01040	3"	12	42,9 kg	F
110 K2F F40 000 F40	808.10.01050	4"	6	32,2 kg	F



CEMENTED TRUE UNION PVC BALL VALVE

Used to turn off or regulate the water flow with a combination of cement sockets

Product code	Catalog numbers	Size	Box quantity	Box weight	Package type
063 K2C F20 000 F20	808.10.02010	2"	32	37,8 kg	F
075 K2C F23 000 F23	808.10.02020	2 1/2"	15	22,4 kg	F
090 K2C F30 000 F30	808.10.02040	3"	12	42,9 kg	F
110 K2C F40 000 F40	808.10.02050	4"	6	32,2 kg	F



SUB-SURFACE FEMALE THREADED TRUE UNION PVC BALL VALVE

Used to turn off or regulate the water flow with a combination of female threaded sockets in sub-surface applications

Product code	Catalog numbers	Size	Box quantity	Box weight	Package type
063 KFT F20 000 F20	808.10.03010	2"	15	25,2 kg	H
075 KFT F23 000 F23	808.10.03020	2 1/2"	6	13,5 kg	H
090 KFT F30 000 F30	808.10.03030	3"	5	25,4 kg	H
110 KFT F40 000 F40	808.10.03040	4"	4	45,7 kg	H



SUB-SURFACE CEMENTED TRUE UNION PVC BALL VALVE

Used to turn off or regulate the water flow with a combination of cement sockets in sub-surface applications

Product code	Catalog numbers	Size	Box quantity	Box weight	Package type
063 KCT F20 000 F20	808.10.04010	2"	15	25,2 kg	H
075 KCT F23 000 F23	808.10.04020	2 1/2"	6	13,5 kg	H
090 KCT F30 000 F30	808.10.04030	3"	5	25,4 kg	H
110 KCT F40 000 F40	808.10.04040	4"	4	45,7 kg	H



DOUBLE EFFECT (AUTOMATIC) AIR RELEASE VALVE

Product code	Catalog numbers	Size	Box quantity	Box weight	Package type
020 V2Z M03 000 000	808.13.01010	1/2"	50	7,4 kg	0
025 V2Z M04 000 000	808.13.01020	3/4"	50	7,4 kg	0
032 V2Z M10 000 000	808.13.01030	1"	20	6,6 kg	0
063 V2Z M20 000 000	808.13.01040	2"	8	6 kg	0



SINGLE EFFECT (KINETIC) AIR RELEASE VALVE

Product code	Catalog numbers	Size	Box quantity	Box weight	Package type
020 V1Z M03 000 000	808.13.02010	1/2"	50	7,4 kg	0
025 V1Z M04 000 000	808.13.02020	3/4"	50	7,4 kg	0
032 V1Z M10 000 000	808.13.02030	1"	14	5,6 kg	0
063 V1Z M20 000 000	808.13.02040	2"	8	5,9 kg	0



# COMPRESSION FITTINGS

BLUE SERIES



**BLUE SERIES MALE ADAPTOR**  
Connects pe flexible pipe to female threaded outlet

20-63 mm: PN16  
75-110 mm: PN10

Product code	Size	Sack quantity	Number of sacks in a pallet
020 BAM M03 000 020	20 mm x 1/2"	225	50
020 BAM M04 000 020	20 mm x 3/4"	225	50
025 BAM M03 000 025	25 mm x 1/2"	175	50
025 BAM M04 000 025	25 mm x 3/4"	175	50
025 BAM M10 000 025	25 mm x 1"	175	50
032 BAM M04 000 032	32 mm x 3/4"	100	55
032 BAM M10 000 032	32 mm x 1"	100	55
032 BAM M12 000 032	32 mm x 1 1/4"	100	55
040 BAM M10 000 040	40 mm x 1"	60	45
040 BAM M12 000 040	40 mm x 1 1/4"	60	45
040 BAM M13 000 040	40 mm x 1 1/2"	60	45
050 BAM M12 000 050	50 mm x 1 1/4"	35	45
050 BAM M13 000 050	50 mm x 1 1/2"	35	45
050 BAM M20 000 050	50 mm x 2"	35	45
063 BAM M13 000 063	63 mm x 1 1/2"	18	55
063 BAM M20 000 063	63 mm x 2"	18	55
063 BAM M23 000 063	63 mm x 2 1/2"	15	55
075 BAM M20 000 075	75 mm x 2"	12	55
075 BAM M23 000 075	75 mm x 2 1/2"	12	55
075 BAM M30 000 075	75 mm x 3"	10	55
090 BAM M23 000 090	90 mm x 2 1/2"	7	50
090 BAM M30 000 090	90 mm x 3"	7	50
110 BAM M40 000 110	110 mm x 4"	4	45



**BLUE SERIES FEMALE ADAPTOR**  
Connects pe flexible pipe to male threaded outlet

20-63 mm: PN16  
75-110 mm: PN10

020 BAF F03 000 020	20 mm x 1/2"	225	45
025 BAF F03 000 025	25 mm x 1/2"	150	45
025 BAF F04 000 025	25 mm x 3/4"	150	45
025 BAF F10 000 025	25 mm x 1"	150	45
032 BAF F03 000 032	32 mm x 1/2"	100	40
032 BAF F04 000 032	32 mm x 3/4"	100	40
032 BAF F10 000 032	32 mm x 1"	100	40
040 BAF F04 000 040	40 mm x 3/4"	50	50
040 BAF F10 000 040	40 mm x 1"	50	50
040 BAF F12 000 040	40 mm x 1 1/4"	50	50
050 BAF F10 000 050	50 mm x 1"	30	50
050 BAF F12 000 050	50 mm x 1 1/4"	30	50
050 BAF F13 000 050	50 mm x 1 1/2"	30	50
063 BAF F12 000 063	63 mm x 1 1/4"	18	40
063 BAF F13 000 063	63 mm x 1 1/2"	18	40
063 BAF F20 000 063	63 mm x 2"	18	40
075 BAF F20 000 075	75 mm x 2"	12	55
075 BAF F23 000 075	75 mm x 2 1/2"	12	55
090 BAF F23 000 090	90 mm x 2 1/2"	7	50
090 BAF F30 000 090	90 mm x 3"	7	50
110 BAF F30 000 110	110 mm x 3"	4	45
110 BAF F40 000 110	110 mm x 4"	4	45



**BLUE SERIES COUPLING**  
Joins pe flexible pipes

20-63 mm: PN16  
75-110 mm: PN10

Product code	Size	Sack quantity	Number of sacks in a pallet
020 BCO 020 000 020	20 x 20 mm	125	50
025 BCO 025 000 025	25 x 25 mm	100	40
032 BCO 032 000 032	32 x 32 mm	60	40
040 BCO 040 000 040	40 x 40 mm	30	45
050 BCO 050 000 050	50 x 50 mm	20	40
063 BCO 063 000 063	63 x 63 mm	10	55
075 BCO 075 000 075	75 x 75 mm	7	55
090 BCO 090 000 090	90 x 90 mm	4	50
110 BCO 110 000 110	110 x 110 mm	3	40



**BLUE SERIES ELBOW COUPLING**  
Creates a corner in pe flexible pipes

20-63 mm: PN16  
75-110 mm: PN10

020 BEL 020 000 020	20 x 20 mm	125	40
025 BEL 025 000 025	25 x 25 mm	80	40
032 BEL 032 000 032	32 x 32 mm	50	50
040 BEL 040 000 040	40 x 40 mm	25	50
050 BEL 050 000 050	50 x 50 mm	15	50
063 BEL 063 000 063	63 x 63 mm	8	45
075 BEL 075 000 075	75 x 75 mm	6	40
090 BEL 090 000 090	90 x 90 mm	4	50
110 BEL 110 000 110	110 x 110 mm	2	40



**BLUE SERIES MALE ADAPTOR ELBOW**  
Provides a bend with a male thread in pe flexible pipes

20-63 mm: PN16  
75-110 mm: PN10

020 BEM M03 000 020	20 mm x 1/2"	150	50
020 BEM M04 000 020	20 mm x 3/4"	150	50
025 BEM M03 000 025	25 mm x 1/2"	125	45
025 BEM M04 000 025	25 mm x 3/4"	125	45
025 BEM M10 000 025	25 mm x 1"	125	45
032 BEM M03 000 032	32 mm x 1/2"	85	45
032 BEM M04 000 032	32 mm x 3/4"	85	45
032 BEM M10 000 032	32 mm x 1"	85	45
040 BEM M10 000 040	40 mm x 1"	40	45
040 BEM M12 000 040	40 mm x 1 1/4"	40	45
050 BEM M13 000 050	50 mm x 1 1/2"	25	50
050 BEM M20 000 050	50 mm x 2"	25	50
063 BEM M12 000 063	63 mm x 1 1/4"	12	45
063 BEM M13 000 063	63 mm x 1 1/2"	12	45
063 BEM M20 000 063	63 mm x 2"	12	45
075 BEM M20 000 075	75 mm x 2"	8	45
075 BEM M23 000 075	75 mm x 2 1/2"	8	45
075 BEM M30 000 075	75 mm x 3"	8	45
090 BEM M23 000 090	90 mm x 2 1/2"	5	50
090 BEM M30 000 090	90 mm x 3"	5	50
090 BEM M40 000 090	90 mm x 4"	5	50



**BLUE SERIES FEMALE ADAPTOR ELBOW**  
Provides a bend with a female thread in pe flexible pipes

20-63 mm: PN16  
75-110 mm: PN10

Product code	Size	Sack quantity	Number of sacks in a pallet
020 BEF M03 000 020	20 mm x ½"	175	50
020 BEF M04 000 020	20 mm x ¾"	175	50
025 BEF M03 000 025	25 mm x ½"	100	50
025 BEF M04 000 025	25 mm x ¾"	100	50
025 BEF M10 000 025	25 mm x 1"	100	50
032 BEF M03 000 032	32 mm x ½"	70	50
032 BEF M04 000 032	32 mm x ¾"	70	50
032 BEF M10 000 032	32 mm x 1"	70	50
040 BEF M10 000 040	40 mm x 1"	40	45
040 BEF M12 000 040	40 mm x 1 ¼"	40	45
050 BEF M12 000 050	50 mm x 1 ¼"	20	50
050 BEF M13 000 050	50 mm x 1 ½"	20	50
050 BEF M20 000 050	50 mm x 2"	20	50
063 BEF M12 000 063	63 mm x 1 ¼"	12	45
063 BEF M13 000 063	63 mm x 1 ½"	12	45
063 BEF M20 000 063	63 mm x 2"	12	45
075 BEF M20 000 075	75 mm x 2"	8	45
075 BEF M23 000 075	75 mm x 2 ½"	8	45
075 BEF M30 000 075	75 mm x 3"	8	45
090 BEF M23 000 090	90 mm x 2 ½"	5	50
090 BEF M30 000 090	90 mm x 3"	5	50
090 BEF M40 000 090	90 mm x 4"	5	50



**BLUE SERIES MALE ADAPTOR TEE**  
Provides a branch with a male thread in pe flexible pipes

20-63 mm: PN16  
75-110 mm: PN10

020 BTM 020 M03 020	20 mm x ½"	100	55
020 BTM 020 M04 020	20 mm x ¾"	100	55
025 BTM 025 M03 025	25 mm x ½"	70	45
025 BTM 025 M04 025	25 mm x ¾"	70	45
025 BTM 025 M10 025	25 mm x 1"	70	45
032 BTM 032 M04 032	32 mm x ¾"	40	55
032 BTM 032 M10 032	32 mm x 1"	40	55
040 BTM 040 M10 040	40 mm x 1"	25	45
040 BTM 040 M12 040	40 mm x 1 ¼"	25	45
040 BTM 040 M13 040	40 mm x 1 ½"	25	45
050 BTM 050 M12 050	50 mm x 1 ¼"	15	45
050 BTM 050 M13 050	50 mm x 1 ½"	15	45
050 BTM 050 M20 050	50 mm x 2"	15	45
063 BTM 063 M13 063	63 mm x 1 ½"	8	50
063 BTM 063 M20 063	63 mm x 2"	8	50
075 BTM 075 M20 075	75 mm x 2"	5	40
075 BTM 075 M23 075	75 mm x 2 ½"	5	40
075 BTM 075 M30 075	75 mm x 3"	5	40
090 BTM 090 M20 090	90 mm x 2"	3	50
090 BTM 090 M23 090	90 mm x 2 ½"	3	50
090 BTM 090 M30 090	90 mm x 3"	3	50
110 BTM 110 M23 110	110 mm x 2 ½"	2	35
110 BTM 110 M30 110	110 mm x 3"	2	35
110 BTM 110 M40 110	110 mm x 4"	2	35



**BLUE SERIES FEMALE ADAPTOR TEE**  
Provides a branch with a female thread in pe flexible pipes

20-63 mm: PN16  
75-110 mm: PN10

Product code	Size	Sack quantity	Number of sacks in a pallet
020 BTF 020 F03 020	20 mm x ½"	100	55
025 BTF 025 F03 025	25 mm x ½"	65	50
025 BTF 025 F04 025	25 mm x ¾"	65	50
032 BTF 032 F03 032	32 mm x ½"	40	50
032 BTF 032 F04 032	32 mm x ¾"	40	50
032 BTF 032 F10 032	32 mm x 1"	40	50
040 BTF 040 F03 040	40 mm x ½"	25	45
040 BTF 040 F04 040	40 mm x ¾"	25	45
040 BTF 040 F10 040	40 mm x 1"	25	45
040 BTF 040 F12 040	40 mm x 1 ¼"	25	45
050 BTF 050 F03 050	50 mm x ½"	15	40
050 BTF 050 F04 050	50 mm x ¾"	15	40
050 BTF 050 F10 050	50 mm x 1"	15	40
050 BTF 050 F12 050	50 mm x 1 ¼"	15	40
050 BTF 050 F13 050	50 mm x 1 ½"	15	40
063 BTF 063 F03 063	63 mm x ½"	8	40
063 BTF 063 F04 063	63 mm x ¾"	8	40
063 BTF 063 F10 063	63 mm x 1"	8	40
063 BTF 063 F12 063	63 mm x 1 ¼"	8	40
063 BTF 063 F13 063	63 mm x 1 ½"	8	40
063 BTF 063 F20 063	63 mm x 2"	8	40
075 BTF 075 F03 075	75 mm x ½"	5	45
075 BTF 075 F04 075	75 mm x ¾"	5	45
075 BTF 075 F13 075	75 mm x 1 ½"	5	45
075 BTF 075 F20 075	75 mm x 2"	5	45
075 BTF 075 F23 075	75 mm x 2 ½"	5	45
090 BTF 090 F20 090	90 mm x 2"	3	55
090 BTF 090 F23 090	90 mm x 2 ½"	3	55
090 BTF 090 F30 090	90 mm x 3"	3	55
110 BTF 110 F20 110	110 mm x 2"	2	35
110 BTF 110 F23 110	110 mm x 2 ½"	2	35
110 BTF 110 F30 110	110 mm x 3"	2	35
110 BTF 110 F40 110	110 mm x 4"	2	35



**BLUE SERIES TEE COUPLING**  
Provides a branch in pe flexible pipes

20-63 mm: PN16  
75-110 mm: PN10

020 BTE 020 020 020	20 x 20 mm	70	50
025 BTE 025 025 025	25 x 25 mm	50	45
032 BTE 032 032 032	32 x 32 mm	30	45
040 BTE 040 040 040	40 x 40 mm	20	40
050 BTE 050 050 050	50 x 50 mm	12	40
063 BTE 063 063 063	63 x 63 mm	5	55
075 BTE 075 075 075	75 x 75 mm	4	55
090 BTE 090 090 090	90 x 90 mm	2	50
110 BTE 110 110 110	110 x 110 mm	1	56





**BLUE SERIES REDUCTION COUPLING**  
Joins pe flexible pipes of different sizes

20-63 mm: PN16  
75-110 mm: PN10

Product code	Size	Sack quantity	Number of sacks in a pallet
025 BRC 025 000 020	25 x 20 mm	100	50
032 BRC 032 000 020	32 x 20 mm	75	40
032 BRC 032 000 025	32 x 25 mm	75	40
040 BRC 040 000 020	40 x 20 mm	40	45
040 BRC 040 000 025	40 x 25 mm	40	45
040 BRC 040 000 032	40 x 32 mm	40	45
050 BRC 050 000 025	50 x 25 mm	25	40
050 BRC 050 000 032	50 x 32 mm	25	40
050 BRC 050 000 040	50 x 40 mm	25	40
063 BRC 063 000 025	63 x 25 mm	13	45
063 BRC 063 000 032	63 x 32 mm	13	45
063 BRC 063 000 040	63 x 40 mm	13	45
063 BRC 063 000 050	63 x 50 mm	13	45
075 BRC 075 000 050	75 x 50 mm	7	55
075 BRC 075 000 063	75 x 63 mm	7	55
090 BRC 090 000 050	90 x 50 mm	5	50
090 BRC 090 000 063	90 x 63 mm	5	50
090 BRC 090 000 075	90 x 75 mm	5	50
110 BRC 110 000 063	110 x 63 mm	4	45
110 BRC 110 000 075	110 x 75 mm	3	45
110 BRC 110 000 090	110 x 90 mm	3	45



**BLUE SERIES REDUCTION TEE COUPLING**  
Provides a branch in pe flexible pipes of different sizes

20-63 mm: PN16  
75-110 mm: PN10

025 BRT 025 020 025	25 x 20 mm	60	55
025 BRT 025 032 025	25 x 32 mm	40	50
032 BRT 032 020 032	32 x 20 mm	40	50
032 BRT 032 025 032	32 x 25 mm	40	50
040 BRT 040 020 040	40 x 20 mm	20	45
040 BRT 040 025 040	40 x 25 mm	20	45
040 BRT 040 032 040	40 x 32 mm	20	45
050 BRT 050 020 050	50 x 20 mm	12	45
050 BRT 050 025 050	50 x 25 mm	12	45
050 BRT 050 032 050	50 x 32 mm	12	45
050 BRT 050 040 050	50 x 40 mm	12	45
063 BRT 063 025 063	63 x 25 mm	8	35
063 BRT 063 032 063	63 x 32 mm	8	35
063 BRT 063 040 063	63 x 40 mm	8	35
063 BRT 063 050 063	63 x 50 mm	7	35
075 BRT 075 050 075	75 x 50 mm	4	55
075 BRT 075 063 075	75 x 63 mm	4	55
090 BRT 090 050 090	90 x 50 mm	3	45
090 BRT 090 063 090	90 x 63 mm	3	45
090 BRT 090 075 090	90 x 75 mm	3	45
110 BRT 110 063 110	110 x 63 mm	2	35
110 BRT 110 075 110	110 x 75 mm	1	56
110 BRT 110 090 110	110 x 90 mm	1	56



**BLUE SERIES END PLUG COUPLING**  
Closes the end of pe flexible pipe

20-63 mm: PN16  
75-110 mm: PN10

Product code	Size	Sack quantity	Number of sacks in a pallet
020 BKT 020 000 000	20 mm	250	50
025 BKT 025 000 000	25 mm	200	50
032 BKT 032 000 000	32 mm	125	45
040 BKT 040 000 000	40 mm	65	45
050 BKT 050 000 000	50 mm	40	45
063 BKT 063 000 000	63 mm	18	50
075 BKT 075 000 000	75 mm	12	55
090 BKT 090 000 000	90 mm	8	50
110 BKT 110 000 000	110 mm	5	45



## CLAMP SADDLES

CLAMP SADDLE WITH BOLTS

CLAMPS SADDLE WITH SLIDES

2-WAY CLAMP SADDLE WITH BOLTS

# CLAMP SADDLES

## CLAMP SADDLE WITH BOLTS



Product code	Size	Sack quantity	Number of sacks in a pallet
025 C1B 025 F03 025	25 mm x 1/2"	100	50
025 C1B 025 F04 025	25 mm x 3/4"	100	50
032 C1B 032 F03 032	32 mm x 1/2"	90	40
032 C1B 032 F04 032	32 mm x 3/4"	90	40
040 C1B 040 F03 040	40 mm x 1/2"	60	40
040 C1B 040 F04 040	40 mm x 3/4"	60	40
040 C1B 040 F04 040	40 mm x 1"	60	40
050 C1B 050 F03 050	50 mm x 1/2"	40	40
050 C1B 050 F04 050	50 mm x 3/4"	40	40
050 C1B 050 F10 050	50 mm x 1"	40	40
050 C1B 050 F12 050	50 mm x 1 1/4"	40	40
050 C1B 050 F13 050	50 mm x 1 1/2"	40	40
063 C1B 063 F03 063	63 mm x 1/2"	30	40
063 C1B 063 F04 063	63 mm x 3/4"	30	40
063 C1B 063 F10 063	63 mm x 1"	30	40
063 C1B 063 F12 063	63 mm x 1 1/4"	25	40
063 C1B 063 F13 063	63 mm x 1 1/2"	25	40
063 C1B 063 F20 063	63 mm x 2"	25	40
075 C1B 075 F03 075	75 mm x 1/2"	20	40
075 C1B 075 F04 075	75 mm x 3/4"	20	40
075 C1B 075 F10 075	75 mm x 1"	20	40
075 C1B 075 F12 075	75 mm x 1 1/4"	20	40
075 C1B 075 F13 075	75 mm x 1 1/2"	20	40
075 C1B 075 F20 075	75 mm x 2"	20	40
090 C1B 090 F03 090	90 mm x 1/2"	15	50
090 C1B 090 F04 090	90 mm x 3/4"	15	50
090 C1B 090 F10 090	90 mm x 1"	15	50
090 C1B 090 F12 090	90 mm x 1 1/4"	15	50
090 C1B 090 F13 090	90 mm x 1 1/2"	15	50
090 C1B 090 F20 090	90 mm x 2"	15	50
110 C1B 110 F03 110	110 mm x 1/2"	15	40
110 C1B 110 F04 110	110 mm x 3/4"	15	40
110 C1B 110 F10 110	110 mm x 1"	15	40
110 C1B 110 F12 110	110 mm x 1 1/4"	15	40
110 C1B 110 F13 110	110 mm x 1 1/2"	15	40
110 C1B 110 F20 110	110 mm x 2"	15	40

# CLAMP SADDLES

## CLAMP SADDLE WITH SLIDES



Product code	Size	Sack quantity	Number of sacks in a pallet
032 C1S 032 F04 032	32 mm x 1/2"	125	40
032 C1S 032 F04 032	32 mm x 3/4"	125	40
032 C1S 032 F10 032	32 mm x 1"	125	40
040 C1S 040 F03 040	40 mm x 1/2"	70	40
040 C1S 040 F04 040	40 mm x 3/4"	70	40
050 C1S 050 F03 050	50 mm x 1/2"	55	40
050 C1S 050 F04 050	50 mm x 3/4"	55	40
063 C1S 063 F03 063	63 mm x 1/2"	35	40
063 C1S 063 F04 063	63 mm x 3/4"	35	40
063 C1S 063 F10 063	63 mm x 1"	35	40
075 C1S 075 F03 075	75 mm x 1/2"	25	45
075 C1S 075 F04 075	75 mm x 3/4"	25	45
075 C1S 075 F10 075	75 mm x 1"	25	45
090 C1S 090 F03 090	90 mm x 1/2"	20	40
090 C1S 090 F04 090	90 mm x 3/4"	20	40
090 C1S 090 F10 090	90 mm x 1"	20	40
110 C1S 110 F03 110	110 mm x 1/2"	15	40
110 C1S 110 F04 110	110 mm x 3/4"	15	40
110 C1S 110 F10 110	110 mm x 1"	15	40
110 C1S 110 F12 110	110 mm x 1 1/4"	15	40
110 C1S 110 F13 110	110 mm x 1 1/2"	15	40

# CLAMP SADDLES

## 2-WAY CLAMP SADDLE WITH BOLTS



Product code	Size	Sack quantity	Number of sacks in a pallet
025 C2B 025 F03 025	25 mm x 1/2"	60	50
025 C2B 025 F04 025	25 mm x 3/4"	60	50
032 C2B 032 F03 032	32 mm x 1/2"	60	40
032 C2B 032 F04 032	32 mm x 3/4"	60	40
040 C2B 040 F03 040	40 mm x 1/2"	40	40
040 C2B 040 F04 040	40 mm x 3/4"	40	40
040 C2B 040 F04 040	40 mm x 1"	40	40
050 C2B 050 F03 050	50 mm x 1/2"	30	40
050 C2B 050 F04 050	50 mm x 3/4"	30	40
050 C2B 050 F10 050	50 mm x 1"	30	40
050 C2B 050 F12 050	50 mm x 1 1/4"	30	40
050 C2B 050 F13 050	50 mm x 1 1/2"	30	40
063 C2B 063 F03 063	63 mm x 1/2"	20	40
063 C2B 063 F04 063	63 mm x 3/4"	20	40
063 C2B 063 F10 063	63 mm x 1"	20	40
063 C2B 063 F12 063	63 mm x 1 1/4"	15	40
063 C2B 063 F13 063	63 mm x 1 1/2"	15	40
063 C2B 063 F20 063	63 mm x 2"	15	40
075 C2B 075 F03 075	75 mm x 1/2"	15	40
075 C2B 075 F04 075	75 mm x 3/4"	15	40
075 C2B 075 F10 075	75 mm x 1"	15	40
075 C2B 075 F12 075	75 mm x 1 1/4"	15	40
075 C2B 075 F13 075	75 mm x 1 1/2"	15	40
075 C2B 075 F20 075	75 mm x 2"	15	40
090 C2B 090 F03 090	90 mm x 1/2"	15	50
090 C2B 090 F04 090	90 mm x 3/4"	15	50
090 C2B 090 F10 090	90 mm x 1"	15	50
090 C2B 090 F12 090	90 mm x 1 1/4"	10	50
090 C2B 090 F13 090	90 mm x 1 1/2"	10	50
090 C2B 090 F20 090	90 mm x 2"	10	50
110 C2B 110 F03 110	110 mm x 1/2"	10	40
110 C2B 110 F04 110	110 mm x 3/4"	10	40
110 C2B 110 F10 110	110 mm x 1"	10	40
110 C2B 110 F12 110	110 mm x 1 1/4"	10	40
110 C2B 110 F13 110	110 mm x 1 1/2"	10	40
110 C2B 110 F20 110	110 mm x 2"	10	40

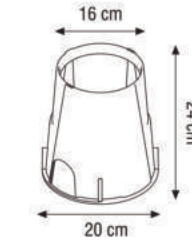
# VALVE BOXES

## VALVE BOXES



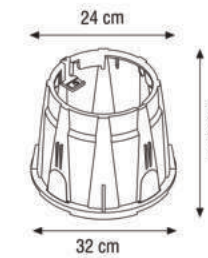
3/4" VALVE BOX

Product code	Size
004 VBX 000 000 000	3/4"



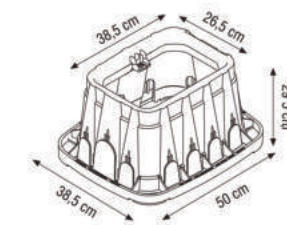
6" VALVE BOX

Product code	Size
060 VBX 000 000 000	6"



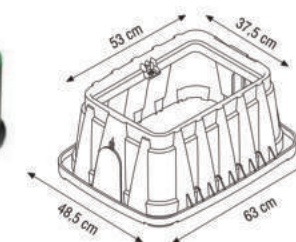
10" VALVE BOX

Product code	Size
100 VBX 000 000 000	10"



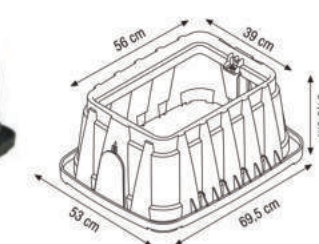
12" VALVE BOX

Product code	Size
120 VBX 000 000 000	12"



14" JUMBO VALVE BOX

Product code	Size
140 VBX 000 000 000	14"



16" JUMBO VALVE BOX

Product code	Size
160 VBX 000 000 000	16"



# LAY FLAT FITTINGS

BLUE SERIES  
BLACK SERIES



BLUE SERIES LAY FLAT COUPLING

Joins pvc lay flat flexible pipes  
Max working pressure: 10 bar

Product code	Catalog numbers	Size	Box quantity	Box weight	Package type
050 EKL K20 100 K20	810.04.01010	50 mm	48	4,8 kg	A
063 EKL K23 100 K23	810.04.01020	63 mm	35	5,1 kg	A
075 EKL K30 100 K30	810.04.01030	75 mm	18	4,6 kg	A
100 EKL K40 100 K40	810.04.01040	100 mm	15	6,7 kg	B
125 EKL K50 100 K50	810.04.01050	125 mm	8	6,7 kg	B
150 EKL K60 100 K60	810.04.01060	150 mm	4	4,6 kg	B



BLUE SERIES LAY FLAT REDUCTION COUPLING

Joins pvc lay flat flexible pipes of different sizes  
Max working pressure: 10 bar

Product code	Catalog numbers	Size	Box quantity	Box weight	Package type
063 RCL K23 100 K20	810.04.02010	63 x 50 mm	40	4,9 kg	A
075 RCL K30 100 K20	810.04.02020	75 x 50 mm	24	4,7 kg	A
075 RCL K30 100 K23	810.04.02030	75 x 63 mm	20	4,6 kg	A
100 RCL K40 100 K20	810.04.02040	100 x 50 mm	19	6,1 kg	B
100 RCL K40 100 K23	810.04.02050	100 x 63 mm	19	6,9 kg	B
100 RCL K40 100 K30	810.04.02060	100 x 75 mm	18	6,8 kg	B
125 RCL K50 100 K40	810.04.02070	125 x 100 mm	9	6,9 kg	B
150 RCL K60 100 K40	810.04.02080	150 x 100 mm	8	7 kg	B
150 RCL K60 100 K50	810.04.02090	150 x 125 mm	5	5,3 kg	B



BLUE SERIES LAY FLAT MALE ADAPTOR

Connects pvc lay flat flexible pipe to female threaded outlet  
Max working pressure: 10 bar  
Thread: BSPT

Product code	Catalog numbers	Size	Box quantity	Box weight	Package type
050 ALM K20 100 M20	810.04.03010	50 mm x 2"	60	5 kg	A
050 ALM K20 100 M23	810.04.03020	50 mm x 2 1/2"	55	6,7 kg	A
063 ALM K23 100 M20	810.04.03030	63 mm x 2"	44	5,6 kg	A
063 ALM K23 100 M23	810.04.03040	63 mm x 2 1/2"	36	4,9 kg	A
063 ALM K23 100 M30	810.04.03050	63 mm x 3"	36	5,2 kg	A
063 ALM K23 100 M40	810.04.03060	63 mm x 4"	20	4,1 kg	A
075 ALM K30 100 M20	810.04.03070	75 mm x 2"	27	5,1 kg	A
075 ALM K30 100 M23	810.04.03080	75 mm x 2 1/2"	24	5 kg	A
075 ALM K30 100 M30	810.04.03090	75 mm x 3"	24	5,8 kg	A
075 ALM K30 100 M40	810.04.03100	75 mm x 4"	18	5,4 kg	A
100 ALM K40 100 M20	810.04.03110	100 mm x 2"	27	9,1 kg	B
100 ALM K40 100 M23	810.04.03120	100 mm x 2 1/2"	27	9 kg	B
100 ALM K40 100 M30	810.04.03130	100 mm x 3"	18	6,2 kg	B
100 ALM K40 100 M40	810.04.03140	100 mm x 4"	18	6,5 kg	B
125 ALM K50 100 M40	810.04.03150	125 mm x 4"	10	6,2 kg	B
125 ALM K50 100 M50	810.04.03160	125 mm x 5"	10	6,6 kg	B
150 ALM K60 100 M50	810.04.03170	150 mm x 5"	8	6,9 kg	B
150 ALM K60 100 M60	810.04.03180	150 mm x 6"	8	6,9 kg	B



BLUE SERIES LAY FLAT END PLUG

Closes the end of pvc lay flat flexible pipe  
Max working pressure: 10 bar

Product code	Catalog numbers	Size	Box quantity	Box weight	Package type
050 KTL K20 100 000	810.04.04010	50 mm	85	5,7 kg	A
063 KTL K23 100 000	810.04.04020	63 mm	50	5,4 kg	A
075 KTL K30 100 000	810.04.04030	75 mm	30	5,6 kg	A
100 KTL K40 100 000	810.04.04040	100 mm	27	8,6 kg	B
125 KTL K50 100 000	810.04.04050	125 mm	14	7,9 kg	B
150 KTL K60 100 000	810.04.04060	150 mm	10	7,7 kg	B



## FILTRATION

DISC FILTERS

SCREEN FILTERS

GRAVEL FILTERS

HYDROCYCLONES

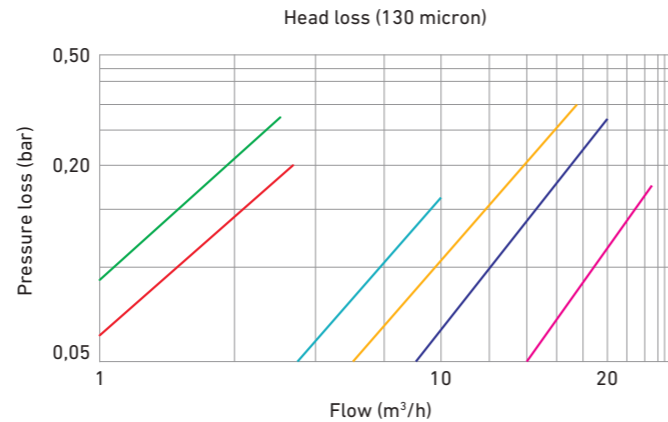
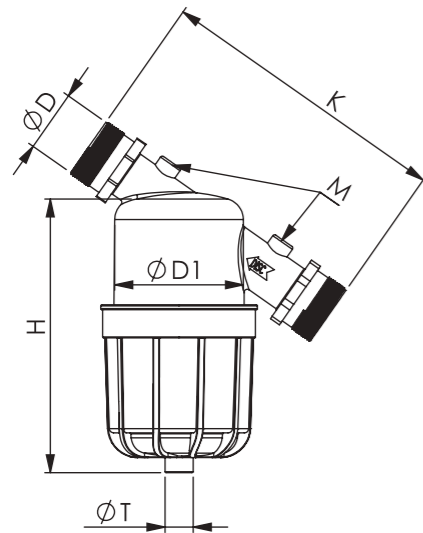
FERTILIZER TANKS



MINI PLASTIC DISC FILTER

Body material: PP  
Cartridge material: PP  
Max working pressure: 8 bar  
Max working temperature: 60 °C  
Filtration degree: 130 micron

Product code	Catalog numbers	D inch	M inch	T inch	D1 mm	H mm	K mm	Flow m <sup>3</sup> /h	Filtration area cm <sup>2</sup>	Weight kg	Box quantity	Box weight kg	Package type
025 MPD M04 000 005	812.04.01015	¾"	-	½"	68	190	160	5	185	0,45	25	12,5	M
032 MPD M10 000 006	812.04.01023	1"	-	½"	68	190	160	6	185	0,45	25	12,5	M
032 MPD M10 000 010	812.04.01025	1"	-	½"	96	230	220	10	325	1	15	16,2	M
050 MPD M13 000 015	812.04.01043	1 ½"	-	½"	96	230	220	15	325	1	15	16,2	M
050 MPD M13 000 020	812.04.01045	1 ½"	¼"	½"	120	280	270	20	550	1,5	5	8,7	M
063 MPD M20 000 025	812.04.01055	2"	¼"	½"	120	280	270	25	550	1,5	5	8,7	M



025 MPD M04 000 005 — 032 MPD M10 000 010 — 050 MPD M13 000 020 —  
032 MPD M10 000 006 — 050 MPD M13 000 015 — 063 MPD M20 000 025 —



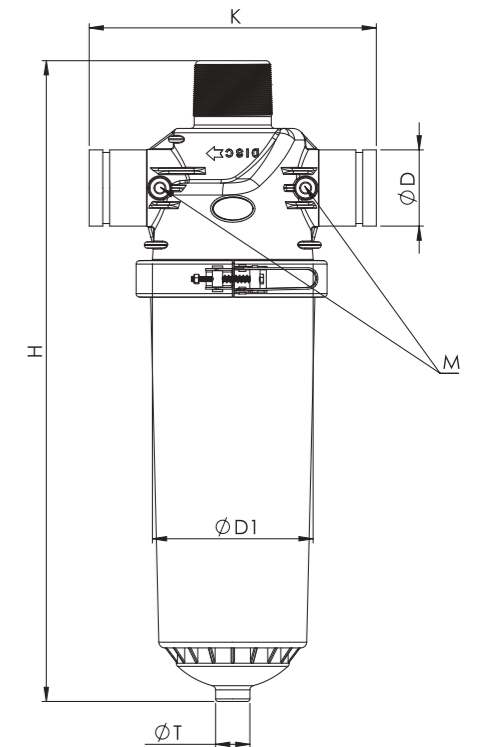
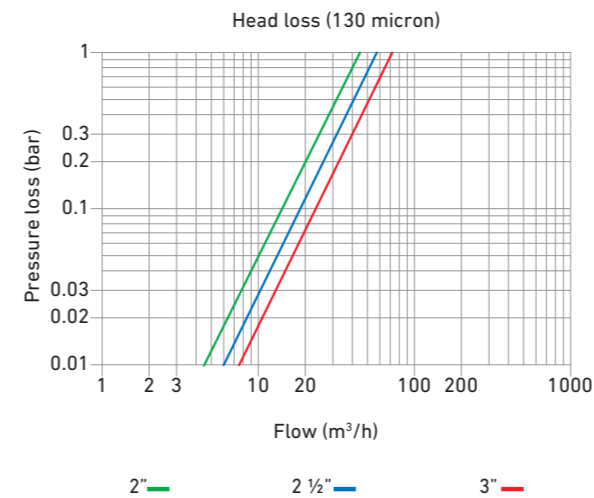
PLASTIC DISC FILTER

Body material: PA6GFR30  
Cartridge material: PP  
Max working pressure: 8 bar  
Max working temperature: 60 °C  
Filtration degree: 130 micron  
Thread: BSP

Product code	Catalog numbers	D inch	M inch	T inch	D1 mm	H mm	K mm	Flow m <sup>3</sup> /h	Filtration area cm <sup>2</sup>	Clamp	Weight kg	Box weight kg	Package type
063 PSD M20 B0P 025	812.04.03007	2"	¼"	¾"	190	500	335	25	868	Plastic	6	7,1	K
063 PSD M20 B0C 025	812.04.03008	2"	¼"	¾"	190	500	335	25	868	Chrome	6	7,1	K
063 PSD M20 B0P 030	812.04.03010	2"	¼"	¾"	190	600	335	30	1302	Plastic	7	8,1	L
063 PSD M20 B0C 030	812.04.03011	2"	¼"	¾"	190	600	335	30	1302	Chrome	7	8,1	L
063 PSD M20 B0P 035	812.04.03020	2"	¼"	¾"	190	750	335	35	1805	Plastic	8	9,2	M
063 PSD M20 B0C 035	812.04.03021	2"	¼"	¾"	190	750	335	35	1805	Chrome	8	9,2	M
075 PSD M23 B0P 035	812.04.03030	2 ½"	¼"	¾"	190	600	335	35	1302	Plastic	7,1	8,2	L
075 PSD M23 B0C 035	812.04.03031	2 ½"	¼"	¾"	190	600	335	35	1302	Chrome	7,1	8,2	L
075 PSD M23 B0P 040	812.04.03040	2 ½"	¼"	¾"	190	750	335	40	1805	Plastic	8,1	9,3	M
075 PSD M23 B0C 040	812.04.03041	2 ½"	¼"	¾"	190	750	335	40	1805	Chrome	8,1	9,3	M
090 PSD M30 B0P 045	812.04.03050	3"	¼"	¾"	190	600	335	45	1302	Plastic	7,2	8,3	L
090 PSD M30 B0C 045	812.04.03051	3"	¼"	¾"	190	600	335	45	1302	Chrome	7,2	8,3	L
090 PSD M30 B0P 050	812.04.03060	3"	¼"	¾"	190	750	335	50	1805	Plastic	8,2	9,4	M
090 PSD M30 B0C 050	812.04.03061	3"	¼"	¾"	190	750	335	50	1805	Chrome	8,2	9,4	M

\*The first digit of the fourth triple group in the product code represents the thread. Set this digit as "N" for NPT orders.

\*\*The second digit of the fourth triple group in the product code represents the filtration degree. Filtration degree options are as follows: (0) 130 micron, (1) 100 micron, (2) 50 micron, (3) 20 micron







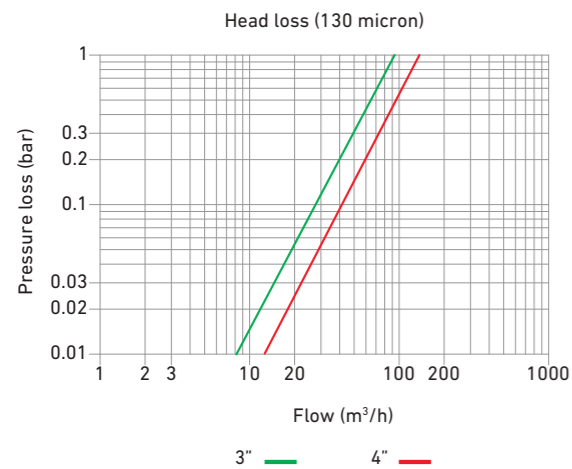
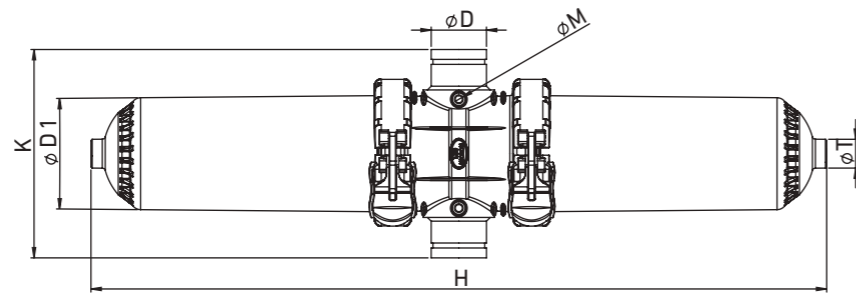
**DOUBLE PLASTIC DISC FILTER**

Body material: PA6GFR30  
Cartridge material: PP  
Max working pressure: 8 bar  
Max working temperature: 60 °C  
Filtration degree: 130 micron  
Thread: BSP

Product code	Catalog numbers	D inch	M inch	T inch	D1 mm	H mm	K mm	Flow m³/h	Filtration area cm²	Clamp	Weight kg	Box weight kg	Package type
090 DPD M30 B0P 050	812.04.07010	3"	¼"	¾"	190	960	340	50	2604	Plastic	11,4	12,9	N
090 DPD M30 B0C 050	812.04.07011	3"	¼"	¾"	190	960	340	50	2604	Chrome	11,4	12,9	N
090 DPD M30 B0P 060	812.04.07020	3"	¼"	¾"	190	1200	340	60	3610	Plastic	13,6	15,1	N
090 DPD M30 B0C 060	812.04.07021	3"	¼"	¾"	190	1200	340	60	3610	Chrome	13,6	15,1	N
110 DPD M40 B0P 070	812.04.07030	4"	¼"	¾"	190	960	340	70	2604	Plastic	11,6	13,1	N
110 DPD M40 B0C 070	812.04.07031	4"	¼"	¾"	190	960	340	70	2604	Chrome	11,6	13,1	N
110 DPD M40 B0P 080	812.04.07040	4"	¼"	¾"	190	1200	340	80	3610	Plastic	13,8	15,3	N
110 DPD M40 B0C 080	812.04.07041	4"	¼"	¾"	190	1200	340	80	3610	Chrome	13,8	15,3	N

\*The first digit of the fourth triple group in the product code represents the thread. Set this digit as "N" for NPT orders.

\*\*The second digit of the fourth triple group in the product code represents the filtration degree. Filtration degree options are as follows: (0) 130 micron, (1) 100 micron, (2) 50 micron, (3) 20 micron

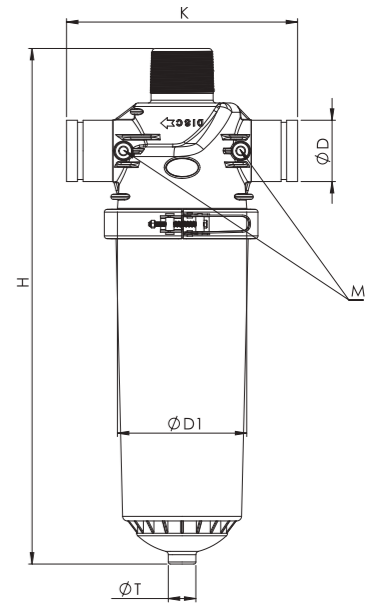


**PLASTIC AUTOMATIC SELF CLEANING DISC FILTER**

Body material: PA6GFR30  
Cartridge material: PP  
Max working pressure: 8 bar  
Min working pressure: 2 bar  
Max working temperature: 60 °C  
Back flush operation criteria: Time and/or pressure differential  
Back flush controlling unit: Electronic (AC/DC) control  
Filtration degree: 130 micron  
Thread: BSP

\*The first digit of the fourth triple group in the product code represents the thread. Set this digit as "N" for NPT orders.

\*\*The second digit of the fourth triple group in the product code represents the filtration degree. Filtration degree options are as follows: (0) 130 micron, (1) 100 micron, (2) 50 micron, (3) 20 micron



Product code	Catalog numbers	D inch	M inch	T inch	D1 mm	H mm	K mm	Flow m³/h	Filtration area cm²	Clamp	Weight kg	Box weight kg	Package type
090 DPD M30 B0P 050	812.04.07010	3"	¼"	¾"	190	960	340	50	2604	Plastic	11,4	12,9	N
090 DPD M30 B0C 050	812.04.07011	3"	¼"	¾"	190	960	340	50	2604	Chrome	11,4	12,9	N
090 DPD M30 B0P 060	812.04.07020	3"	¼"	¾"	190	1200	340	60	3610	Plastic	13,6	15,1	N

**DOUBLE PLASTIC AUTOMATIC SELF CLEANING DISC FILTER**

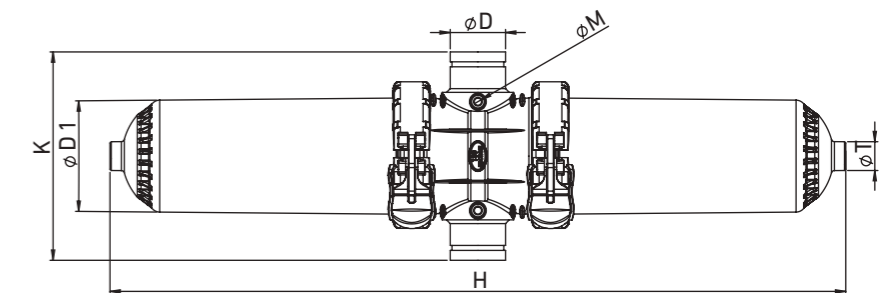


Body material: PA6GFR30  
Cartridge material: PP  
Max working pressure: 8 bar  
Min working pressure: 2 bar  
Max working temperature: 60 °C  
Back flush operation criteria: Time and/or pressure differential  
Back flush controlling unit: Electronic (AC/DC) control  
Filtration degree: 130 micron  
Thread: BSP

Product code	Catalog numbers	D inch	M inch	T inch	D1 mm	H mm	K mm	Flow m³/h	Filtration area cm²	Clamp	Weight kg	Box weight kg	Package type
090 DPD M30 B0P 050	812.04.07010	3"	¼"	¾"	190	960	340	50	2604	Plastic	11,4	12,9	N
090 DPD M30 B0C 050	812.04.07011	3"	¼"	¾"	190	960	340	50	2604	Chrome	11,4	12,9	N
090 DPD M30 B0P 060	812.04.07020	3"	¼"	¾"	190	1200	340	60	3610	Plastic	13,6	15,1	N

\*The first digit of the fourth triple group in the product code represents the thread. Set this digit as "N" for NPT orders.

\*\*The second digit of the fourth triple group in the product code represents the filtration degree. Filtration degree options are as follows: (0) 130 micron, (1) 100 micron, (2) 50 micron, (3) 20 micron





**METAL DISC FILTER**

Body material: S195T  
Cartridge material: PP  
Max working pressure: 8 bar  
Max working temperature: 60 °C  
Filtration degree: 130 micron

Product code	Catalog numbers	Size	Dimensions	Flow
063 FMD 025 220 300	812.05.01010	2"	Ø220 x 300 mm	25 m³/h
075 FMD 035 220 300	812.05.01020	2 ½"	Ø220 x 300 mm	35 m³/h
075 FMD 035 220 400	812.05.01030	2 ½"	Ø220 x 400 mm	35 m³/h
075 FMD 035 220 500	812.05.01040	2 ½"	Ø220 x 500 mm	35 m³/h
075 FMD 035 220 600	812.05.01050	2 ½"	Ø220 x 600 mm	35 m³/h
075 FMD 035 220 700	812.05.01060	2 ½"	Ø220 x 700 mm	35 m³/h
090 FMD 050 220 400	812.05.01070	3"	Ø220 x 400 mm	50 m³/h
090 FMD 050 220 500	812.05.01080	3"	Ø220 x 500 mm	50 m³/h
090 FMD 050 220 600	812.05.01090	3"	Ø220 x 600 mm	50 m³/h
090 FMD 050 220 700	812.05.01100	3"	Ø220 x 700 mm	50 m³/h
110 FMD 065 220 500	812.05.01110	4"	Ø220 x 500 mm	65 m³/h
110 FMD 065 220 600	812.05.01120	4"	Ø220 x 600 mm	65 m³/h
110 FMD 065 220 700	812.05.01130	4"	Ø220 x 700 mm	65 m³/h



**METAL DISC FILTER WITH STAND**

Body material: S195T  
Cartridge material: PP  
Max working pressure: 8 bar  
Max working temperature: 60 °C  
Filtration degree: 130 micron

Product code	Catalog numbers	Size	Dimensions	Flow
063 FMS 025 220 300	812.05.02010	2"	Ø220 x 300 mm	25 m³/h
075 FMS 035 220 300	812.05.02020	2 ½"	Ø220 x 300 mm	35 m³/h
075 FMS 035 220 400	812.05.02030	2 ½"	Ø220 x 400 mm	35 m³/h
075 FMS 035 220 500	812.05.02040	2 ½"	Ø220 x 500 mm	35 m³/h
075 FMS 035 220 600	812.05.02050	2 ½"	Ø220 x 600 mm	35 m³/h
075 FMS 035 220 700	812.05.02060	2 ½"	Ø220 x 700 mm	35 m³/h
090 FMS 050 220 400	812.05.02070	3"	Ø220 x 400 mm	50 m³/h
090 FMS 050 220 500	812.05.02080	3"	Ø220 x 500 mm	50 m³/h
090 FMS 050 220 600	812.05.02090	3"	Ø220 x 600 mm	50 m³/h
090 FMS 050 220 700	812.05.02100	3"	Ø220 x 700 mm	50 m³/h
110 FMS 065 220 500	812.05.02110	4"	Ø220 x 500 mm	65 m³/h
110 FMS 065 220 600	812.05.02120	4"	Ø220 x 600 mm	65 m³/h
110 FMS 065 220 700	812.05.02130	4"	Ø220 x 700 mm	65 m³/h



**DOUBLE METAL DISC FILTER**

Body material: S195T  
Cartridge material: PP  
Max working pressure: 8 bar  
Max working temperature: 60 °C  
Filtration degree: 130 micron

Product code	Catalog numbers	Size	Dimensions	Flow
063 FDD 035 220 800	812.05.03010	2"	Ø220 x 800 mm	35 m³/h
075 FDD 050 220 X00	812.05.03020	2 ½"	Ø220 x 1000 mm	50 m³/h
090 FDD 070 220 X20	812.05.03030	3"	Ø220 x 1200 mm	70 m³/h
110 FDD 090 220 X40	812.05.03040	4"	Ø220 x 1400 mm	90 m³/h



**DOUBLE METAL DISC FILTER WITH STAND**

Body material: S195T  
Cartridge material: PP  
Max working pressure: 8 bar  
Max working temperature: 60 °C  
Filtration degree: 130 micron

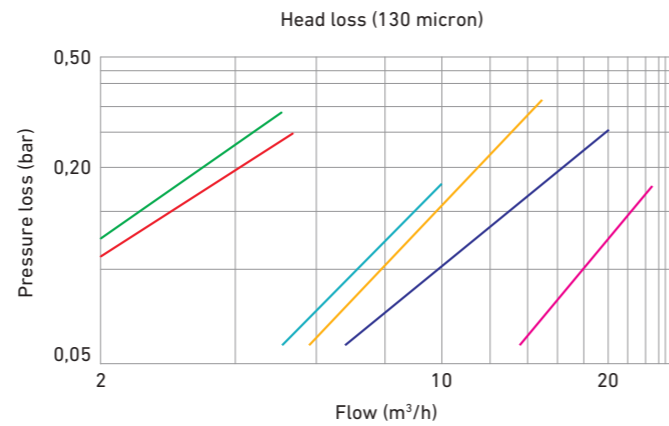
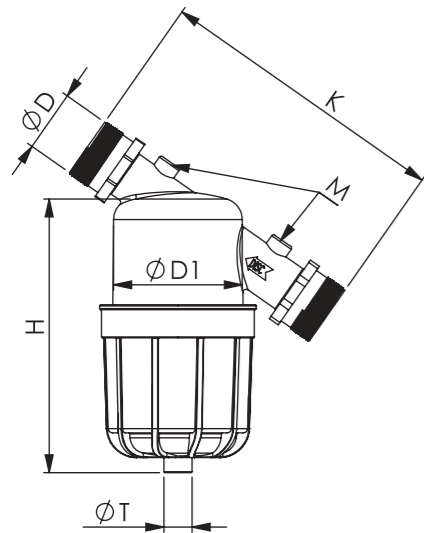
Product code	Catalog numbers	Size	Dimensions	Flow
063 FDS 035 220 800	812.05.04010	2"	Ø220 x 800 mm	35 m³/h
075 FDS 050 220 X00	812.05.04020	2 ½"	Ø220 x 1000 mm	50 m³/h
090 FDS 070 220 X20	812.05.04030	3"	Ø220 x 1200 mm	70 m³/h
110 FDS 090 220 X40	812.05.04040	4"	Ø220 x 1400 mm	90 m³/h



MINI PLASTIC SCREEN FILTER

Body material: PP  
Cartridge material: PA & SS 304  
Max working pressure: 8 bar  
Max working temperature: 60 °C  
Filtration degree: 130 micron

Product code	Catalog numbers	D inch	M inch	T inch	D1 mm	H mm	K mm	Flow m <sup>3</sup> /h	Filtration area cm <sup>2</sup>	Weight kg	Box quantity	Box weight kg	Package type
025 MPE M04 000 005	812.07.01015	¾"	-	½"	68	190	160	5	165	0,3	25	8,7	M
032 MPE M10 000 006	812.07.01023	1"	-	½"	68	190	160	6	165	0,3	25	8,7	M
032 MPE M10 000 010	812.07.01025	1"	-	½"	96	230	220	10	300	0,75	15	12,5	M
050 MPE M13 000 015	812.07.01043	1 ½"	-	½"	96	230	220	15	300	0,75	15	12,5	M
050 MPE M13 000 020	812.07.01045	1 ½"	¼"	½"	120	280	270	20	515	1,2	5	7,2	M
063 MPE M20 000 025	812.07.01055	2"	¼"	½"	120	280	270	25	515	1,2	5	7,2	M



025 MPE M04 000 005 — 032 MPE M10 000 010 — 050 MPE M13 000 020 —  
032 MPE M10 000 006 — 050 MPE M13 000 015 — 063 MPE M20 000 025 —



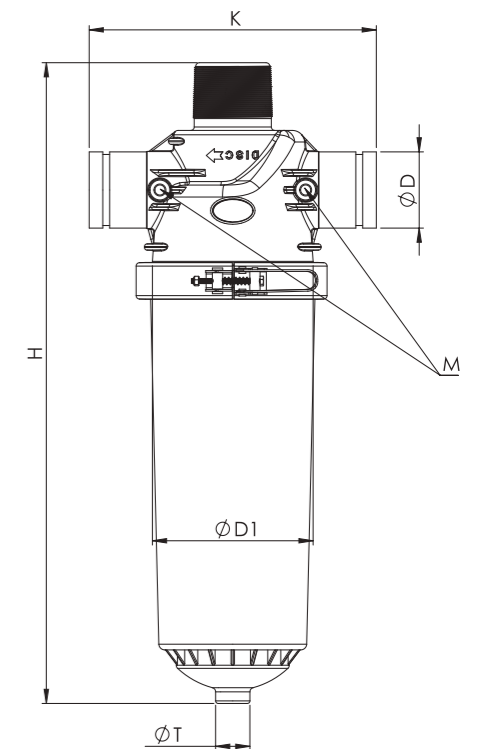
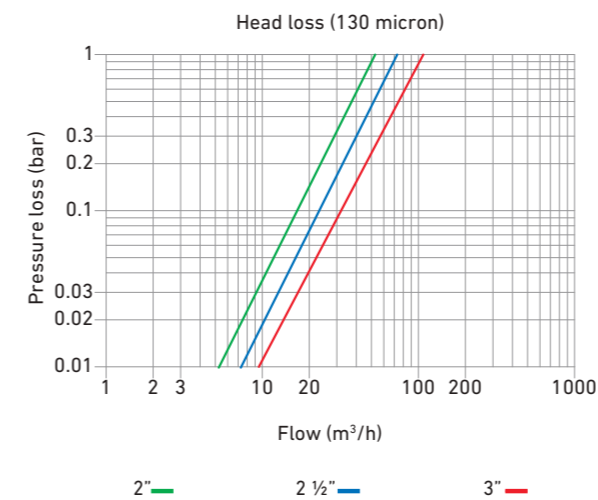
PLASTIC SCREEN FILTER

Body material: PA6GFR30  
Cartridge material: PA & SS 304  
Max working pressure: 8 bar  
Max working temperature: 60 °C  
Filtration degree: 130 micron  
Thread: BSP

Product code	Catalog numbers	D inch	M inch	T inch	D1 mm	H mm	K mm	Flow m <sup>3</sup> /h	Filtration area cm <sup>2</sup>	Clamp	Weight kg	Box weight kg	Package type
063 PSE M20 B0P 025	812.07.03007	2"	¼"	¾"	190	500	335	25	760	Plastic	5,2	6,3	K
063 PSE M20 B0C 025	812.07.03008	2"	¼"	¾"	190	500	335	25	760	Chrome	5,2	6,3	K
063 PSE M20 B0P 030	812.07.03010	2"	¼"	¾"	190	600	335	30	1140	Plastic	5,4	6,5	L
063 PSE M20 B0C 030	812.07.03011	2"	¼"	¾"	190	600	335	30	1140	Chrome	5,4	6,5	L
063 PSE M20 B0P 035	812.07.03020	2"	¼"	¾"	190	750	335	35	1520	Plastic	6,3	7,5	M
063 PSE M20 B0C 035	812.07.03021	2"	¼"	¾"	190	750	335	35	1520	Chrome	6,3	7,5	M
075 PSE M23 B0P 035	812.07.03030	2 ½"	¼"	¾"	190	600	335	35	1140	Plastic	5,5	6,6	L
075 PSE M23 B0C 035	812.07.03031	2 ½"	¼"	¾"	190	600	335	35	1140	Chrome	5,5	6,6	L
075 PSE M23 B0P 040	812.07.03040	2 ½"	¼"	¾"	190	750	335	40	1520	Plastic	6,4	7,6	M
075 PSE M23 B0C 040	812.07.03041	2 ½"	¼"	¾"	190	750	335	40	1520	Chrome	6,4	7,6	M
090 PSE M30 B0P 045	812.07.03050	3"	¼"	¾"	190	600	335	45	1140	Plastic	5,6	6,7	L
090 PSE M30 B0C 045	812.07.03051	3"	¼"	¾"	190	600	335	45	1140	Chrome	5,6	6,7	L
090 PSE M30 B0P 050	812.07.03060	3"	¼"	¾"	190	750	335	50	1520	Plastic	6,5	7,7	M
090 PSE M30 B0C 050	812.07.03061	3"	¼"	¾"	190	750	335	50	1520	Chrome	6,5	7,7	M

\*The first digit of the fourth triple group in the product code represents the thread. Set this digit as "N" for NPT orders.

\*\*The second digit of the fourth triple group in the product code represents the filtration degree. Filtration degree options are as follows: (0) 130 micron, (1) 100 micron, (5) 200 micron





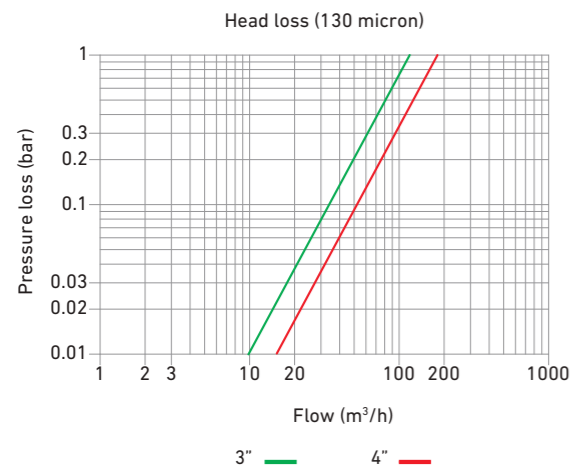
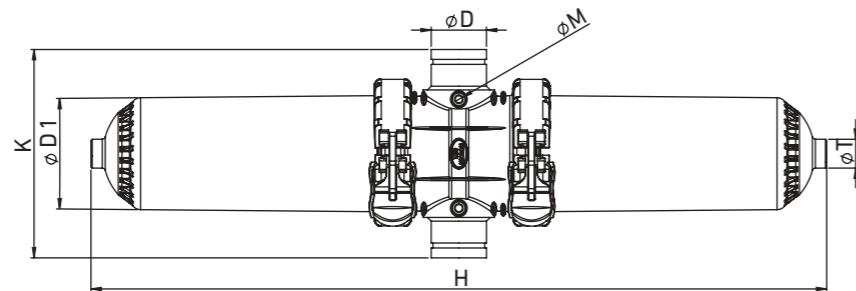
DOUBLE PLASTIC SCREEN FILTER

Body material: PA6GFR30  
Cartridge material: PA & SS 304  
Max working pressure: 8 bar  
Max working temperature: 60 °C  
Filtration degree: 130 micron  
Thread: BSP

Product code	Catalog numbers	D inch	M inch	T inch	D1 mm	H mm	K mm	Flow m³/h	Filtration area cm²	Clamp	Weight kg	Box weight kg	Package type
090 DPE M30 B0P 050	812.07.07010	3"	¼"	¾"	190	960	340	50	2280	Plastic	8,4	9,9	N
090 DPE M30 B0C 050	812.07.07011	3"	¼"	¾"	190	960	340	50	2280	Chrome	8,4	9,9	N
090 DPE M30 B0P 060	812.07.07020	3"	¼"	¾"	190	1200	340	60	3040	Plastic	9,8	11,3	N
090 DPE M30 B0C 060	812.07.07021	3"	¼"	¾"	190	1200	340	60	3040	Chrome	9,8	11,3	N
110 DPE M40 B0P 070	812.07.07030	4"	¼"	¾"	190	960	340	70	2280	Plastic	8,6	10,1	N
110 DPE M40 B0C 070	812.07.07031	4"	¼"	¾"	190	960	340	70	2280	Chrome	8,6	10,1	N
110 DPE M40 B0P 080	812.07.07040	4"	¼"	¾"	190	1200	340	80	3040	Plastic	10	11,5	N
110 DPE M40 B0C 080	812.07.07041	4"	¼"	¾"	190	1200	340	80	3040	Chrome	10	11,5	N

\*The first digit of the fourth triple group in the product code represents the thread. Set this digit as "N" for NPT orders.

\*\*The second digit of the fourth triple group in the product code represents the filtration degree. Filtration degree options are as follows: (0) 130 micron, (1) 100 micron, (5) 200 micron



SINGLE METAL GRAVEL FILTER WITH BACKFLUSH

Body material: S195T  
Max working pressure: 8 bar  
Max working temperature: 60 °C

Product code	Catalog numbers	Size	Dimensions	Flow
063 G1F 020 600 000	812.11.01010	2"	Ø600 mm	20 m³/h
075 G1F 025 600 000	812.11.01020	2 ½"	Ø600 mm	25 m³/h
090 G1F 035 660 000	812.11.01030	3"	Ø660 mm	35 m³/h
110 G1F 050 660 000	812.11.01040	4"	Ø660 mm	50 m³/h



SINGLE METAL GRAVEL FILTER WITH BACKFLUSH

Body material: S195T  
Max working pressure: 8 bar  
Max working temperature: 60 °C

Product code	Catalog numbers	Size	Dimensions	Flow
090 G2F 050 660 000	812.11.02030	3"	Ø660 mm	50 m³/h
110 G2F 070 660 000	812.11.02040	4"	Ø660 mm	70 m³/h



SINGLE METAL GRAVEL FILTER WITH BACKFLUSH

Body material: S195T  
Max working pressure: 8 bar  
Max working temperature: 60 °C

Product code	Catalog numbers	Size	Dimensions	Flow
140 G3F 100 660 000	812.11.03050	5"	Ø660 mm	100 m³/h



SINGLE METAL GRAVEL FILTER WITH BACKFLUSH

Body material: S195T  
Max working pressure: 8 bar  
Max working temperature: 60 °C

Product code	Catalog numbers	Size	Dimensions	Flow
160 G4F 140 660 000	812.11.04060	6"	Ø660 mm	140 m³/h



### METAL HYDROCYCLONE

Body material: S195T  
 Max working pressure: 8 bar  
 Max working temperature: 60 °C

Product code	Catalog numbers	Size	Dimensions	Flow
063 FMH 025 280 X30	812.10.01010	2"	Ø280 x 1300 mm	25 m <sup>3</sup> /h
075 FMH 035 280 X30	812.10.01020	2 ½"	Ø280 x 1300 mm	35 m <sup>3</sup> /h
090 FMH 050 280 X30	812.10.01030	3"	Ø280 x 1300 mm	50 m <sup>3</sup> /h
110 FMH 070 330 X40	812.10.01040	4"	Ø330 x 1400 mm	70 m <sup>3</sup> /h
140 FMH 100 380 X50	812.10.01050	5"	Ø380 x 1500 mm	100 m <sup>3</sup> /h
160 FMH 140 430 X80	812.10.01060	6"	Ø430 x 1800 mm	140 m <sup>3</sup> /h

### METAL HYDROCYCLONE

Body material: S195T  
 Max working pressure: 8 bar  
 Max working temperature: 60 °C



Product code	Catalog numbers	Capacity	Dimensions
050 FVT 050 380 350	812.13.01010	50 l	Ø380 x 350 mm
070 FVT 070 380 500	812.13.01020	70 l	Ø380 x 500 mm
100 FVT 100 440 550	812.13.01030	100 l	Ø440 x 550 mm
150 FVT 150 440 800	812.13.01040	150 l	Ø440 x 800 mm
300 FVT 300 600 850	812.13.01050	300 l	Ø600 x 850 mm

### METAL HYDROCYCLONE

Body material: S195T  
 Max working pressure: 8 bar  
 Max working temperature: 60 °C



Product code	Catalog numbers	Capacity	Dimensions
100 FRT 100 440 550	812.13.02010	100 l	Ø440 x 550 mm
200 FRT 200 600 550	812.13.02020	200 l	Ø600 x 550 mm
300 FRT 300 600 850	812.13.02030	300 l	Ø600 x 850 mm

### METAL HYDROCYCLONE

Body material: S195T  
 Max working pressure: 8 bar  
 Max working temperature: 60 °C



Product code	Catalog numbers	Capacity
063 FRA M20 000 M20	812.13.03010	2"
075 FRA M23 000 M23	812.13.03020	2 ½"
090 FRA M30 000 M30	812.13.03030	3"
110 FRA M40 000 M40	812.13.03040	4"



**SUNSTREAM FRANCE**

**SIEGE FRANCE**

92 Avenue de Saint-Mandé  
75012 PARIS  
Tel : +33 (0)1 .84 .60 .17 .77

**Website :** [www.sunstream.fr](http://www.sunstream.fr) [www.sunstream.africa](http://www.sunstream.africa)

© 2022 Sunstream France SAS